

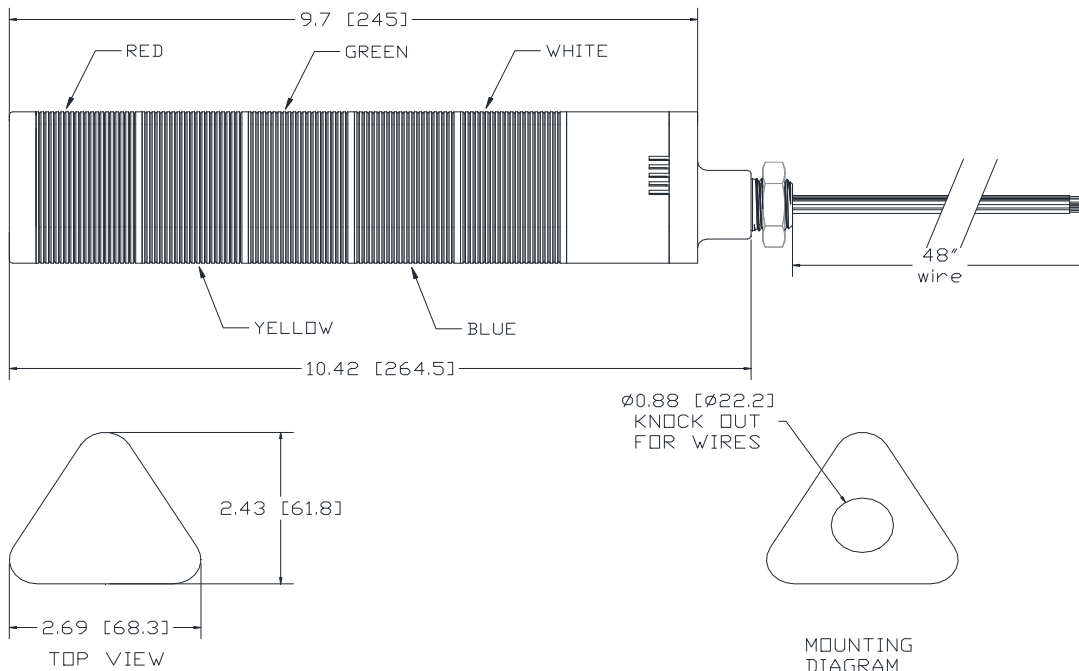
Sales Outline Drawing

Specifications:

Stack Number:	1	2	3	4	5
LED Color:	RED	YELLOW	GREEN	BLUE	WHITE
Connection Wires:	Red and Brown	Yellow and Brown	Green and Brown	Blue and Brown	White and Brown
LED Current Draw:	<30mA				
Rated Voltage:	24 VAC/DC				
Operating Voltage:	20-28 VAC/DC				
Sound Level Category:	Loud	Loud	Loud	Loud	
Mode of Operation:	Continuous	Medium Pulse (5PPS)	Double Pulse (0.5PPS)	Continuous for 5 sec then 0.1s beep until reset	
Connection:	Black and Gray Wires	Black and Gray Wires; Orange wire connected to Green/Yellow wire	Black and Gray Wires; Purple wire connected to Green/Yellow wire	Black and Gray wires; Orange and Purple wires connected to Green/Yellow wire	
Sound Current Draw:	40mA Max.				
Loudness @ 1m:	80-85 dB(A) Typ.				
Frequency:	2000 ± 500 Hz				
Operating Temperature:	-25° ~ +60°C				
Lens Color:	Opaque White				
Material:	ABS 777D				
Mounting Method:	Direct Mount using 1/2" NPT Stainless Steel Pipe and Nut				
Weight Typical (g):	600				
NEMA 3R,4X, & 12:					
Options:	Please contact factory.				

Dimensions: Inches (mm)

ROHS Compliant



LED OPERATION: CONNECT STACK COLOR WIRE TO POWER AND BROWN WIRE TO POWER.

SOUND OPERATION: CONNECT GRAY AND BLACK WIRES TO POWER FOR CONTINUOUS SOUND.
 FOR MEDIUM PULSE, CONNECT GRAY & BLACK TO POWER AND ORANGE WIRE TO GREEN/YELLOW WIRE.
 FOR DOUBLE PULSE, CONNECT GRAY & BLACK TO POWER AND PURPLE WIRE TO GREEN/YELLOW WIRE.
 FOR CONT/BEEP, CONNECT GRAY & BLACK TO POWER AND ORANGE & PURPLE TO GREEN/YELLOW WIRE.