



Mallory Sonalert Products, Inc.

Part #: **JT120-RYG-CD**

Sales Outline Drawing

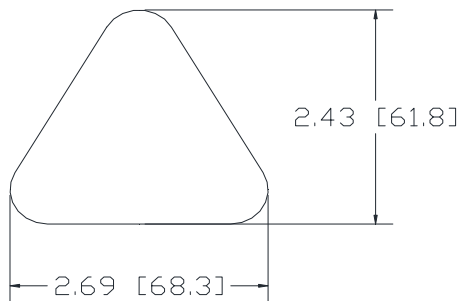
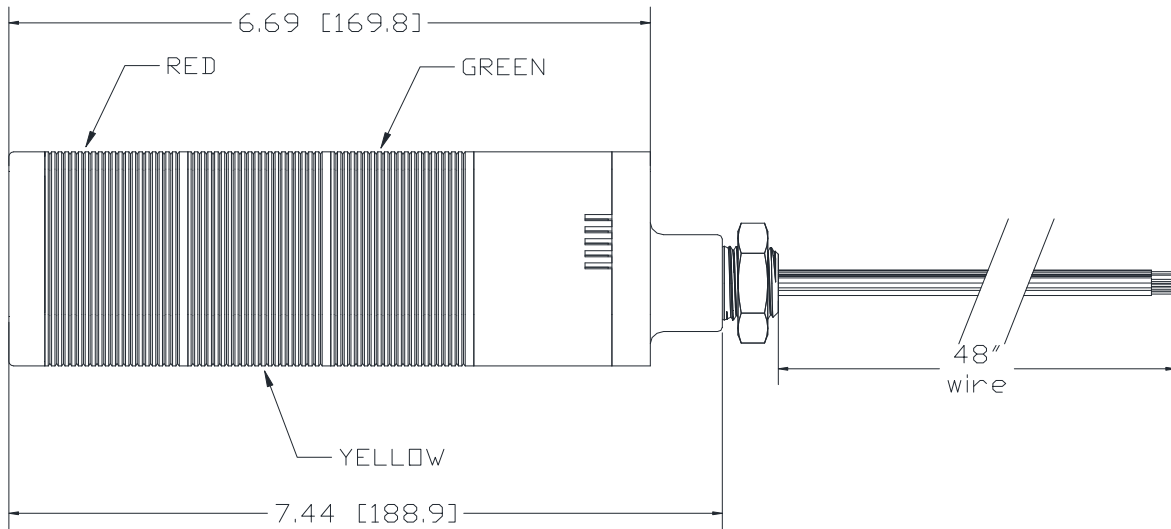
Revision: **A**

Specifications:

Stack Number:	1	2	3		
LED Color:	RED	YELLOW	GREEN		
Connection Wires:	Red and Brown	Yellow and Brown	Green and Brown		
LED Current Draw:	<30mA				
Rated Voltage:	120 VAC				
Operating Voltage:	90-120 VAC				
Operating Temperature:	-25° ~ +60°C				
Lens Color:	Opaque White				
Material:	ABS 777D				
Mounting Method:	Direct Mount using 1/2" NPT Stainless Steel Pipe and Nut				
Weight Typical (g):	420				
NEMA 3R,4X, & 12:					
Options:	Please contact factory.				

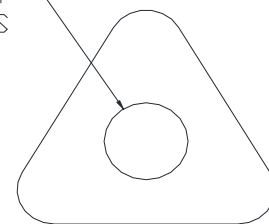
Dimensions: Inches (mm)

ROHS Compliant



TOP VIEW

Ø0.88 [Ø22.2]
KNOCK OUT
FOR WIRES



MOUNTING
DIAGRAM

LED OPERATION: CONNECT STACK COLOR WIRE TO POWER AND BROWN WIRE TO POWER.