



Mallory Sonalert Products, Inc.

Part #: **JT028-R-CD**

Sales Outline Drawing

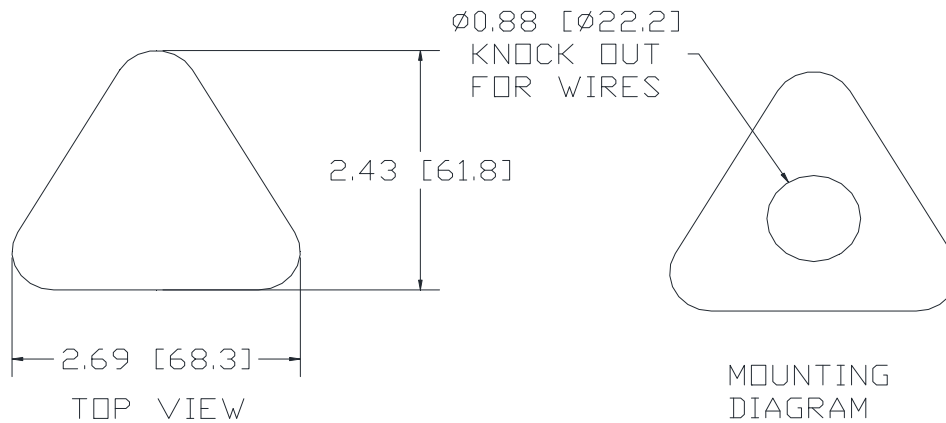
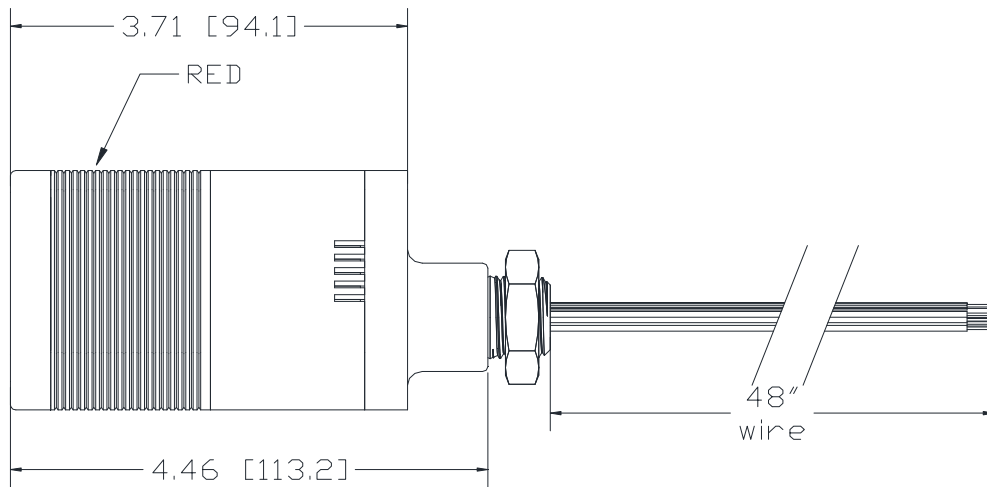
Revision: **0**

Specifications:

Stack Number:	1				
LED Color:	RED				
Connection Wires:	Red and Brown				
LED Current Draw:	<30mA				
Rated Voltage:	24 VAC/DC				
Operating Voltage:	20-28 VAC/DC				
Operating Temperature:	-25° ~ +60°C				
Lens Color:	Opaque White				
Material:	ABS 777D				
Mounting Method:	Direct Mount using 1/2" NPT Stainless Steel Pipe and Nut				
Weight Typical (g):	340				
NEMA 3R,4X, & 12:					
Options:	Please contact factory.				

Dimensions: Inches (mm)

ROHS Compliant



LED OPERATION: CONNECT STACK COLOR WIRE TO POWER AND BROWN WIRE TO POWER.