

SCREW COVER WIRING TROUGH, NEMA TYPE 4X



INDUSTRY STANDARDS

UL 870, 50E Listed; Type 3R, 4, 4X, 12; File No. E27524; cUL Listed per CSA C22.2 No. 26 & No. 94.2; Type 3R, 4, 4X, 12

IEC 60529, IP66

APPLICATION

This wiring trough meets basic functionality requirements for applications in which frequent access is not needed. Provides protection for use in corrosive or dirty indoor and outdoor environments.

FEATURES

- Seams continuously welded and ground smooth
- Oil-resistant gasket and adhesive
- Captivated stainless steel cover screw threaded into sealed walls
- No holes or knockouts

SPECIFICATIONS

- Type 304 stainless steel covers and bodies
- 12 to 16 gauge stainless steel

FINISH

No. 2B finish

ACCESSORIES

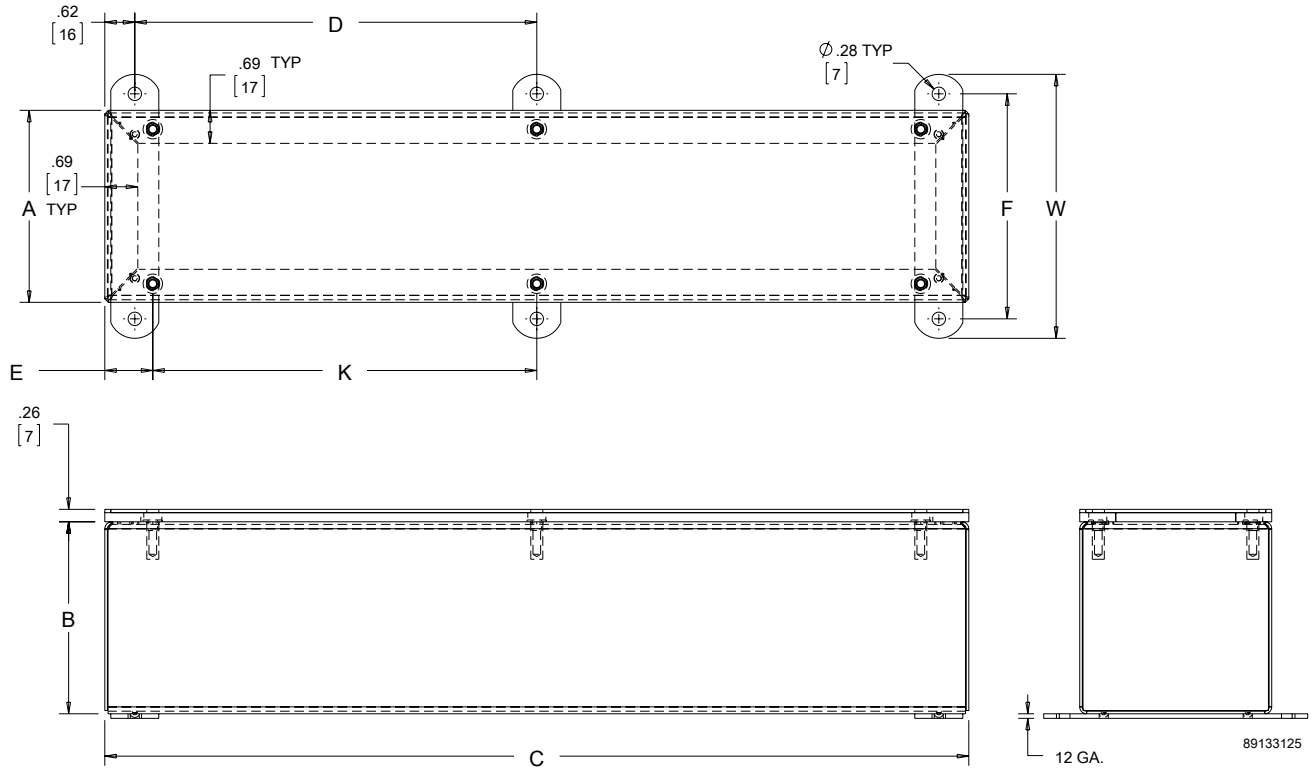
Handle - STSCHDL

BULLETIN: F24

Standard Product

Catalog Number	AxBxC in./mm	No. of Cover Screws	Cover Gauge	Body Gauge	D in./mm	E in./mm	F in./mm	K in./mm	W in./mm
F4412SCSS	4.00 x 4.00 x 12.00 102 x 102 x 305	4	12	16	10.75 273	.38 10	4.69 119	11.25 286	5.50 140
F4418SCSS	4.00 x 4.00 x 18.00 102 x 102 x 457	6	14	16	16.75 425	1.00 25	4.69 119	8.00 203	5.50 140
F4424SCSS	4.00 x 4.00 x 24.00 102 x 102 x 610	6	12	16	22.75 578	.75 19	4.69 119	11.25 286	5.50 140
F6612SCSS	6.00 x 6.00 x 12.00 153 x 153 x 305	4	12	16	10.75 273	.38 10	6.69 170	11.25 286	7.50 191
F6624SCSS	6.00 x 6.00 x 24.00 153 x 153 x 610	6	12	16	22.75 578	.75 19	6.69 170	11.25 286	7.50 191
F6636SCSS	6.00 x 6.00 x 36.00 153 x 153 x 915	8	14	16	34.75 823	1.12 29	6.69 170	11.25 286	7.50 191
F6648SCSS	6.00 x 6.00 x 48.00 153 x 153 x 1220	10	14	16	46.75 1187	1.50 38	6.69 170	11.25 286	7.50 191
F8824SCSS	8.00 x 8.00 x 24.00 204 x 204 x 610	6	12	14	22.75 578	.75 19	8.69 221	11.25 286	9.50 241
F8836SCSS	8.00 x 8.00 x 36.00 204 x 204 x 915	8	14	14	34.75 823	1.12 29	8.69 221	11.25 286	9.50 241
F8848SCSS	8.00 x 8.00 x 48.00 204 x 204 x 1220	10	14	14	46.75 1187	1.50 38	8.69 221	11.25 286	9.50 241
F121224SCSS	12.00 x 12.00 x 24.00 305 x 305 x 610	6	12	14	10.75 273	.75 19	12.69 322	11.25 286	13.50 343
F121236SCSS	12.00 x 12.00 x 36.00 305 x 305 x 915	8	14	14	10.75 273	1.12 29	12.69 322	11.25 286	13.50 343
F121248SCSS	12.00 x 12.00 x 48.00 305 x 305 x 1220	10	14	14	22.75 578	1.50 38	12.69 322	11.25 286	13.50 343
F121260SCSS	12.00 x 12.00 x 60.00 305 x 305 x 1524	12	12	14	10.75 273	1.88 48	12.69 322	11.25 286	13.50 343
F121272SCSS	12.00 x 12.00 x 72.00 305 x 305 x 1829	14	12	14	70.75 1797	1.88 48	12.69 322	11.25 286	13.50 343

Omit center mounting foot if C is less than 60 in. (1524 mm).

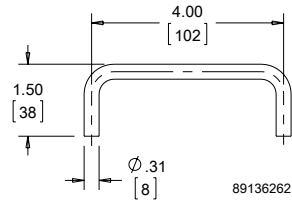


HANDLE KIT



Handles are stainless steel for mounting on enclosure sides. Kit includes two handles and all mounting hardware.

BULLETIN: F24



Standard Product

Catalog Number	Description
STSCHDL	Stainless steel handles