

## General-purpose power entry module FN 9260

- up to 6A current ratings
  - IEC 950-compliant
  - for one or two fuses (Ø5 x 20mm)
  - optional medical version (B type)
- 
- Nennstrom bis 6A
  - IEC 950 konform
  - Für eine oder zwei Sicherungen (Ø5 x 20mm)
  - Für medizinische Geräte als Option (Typ B)
- 
- courants de service pouvant atteindre 6A
  - conforme à CEI 950
  - pour un ou deux fusibles (Ø5 x 20mm)
  - version médicale en option (type B)



### Filter selection table

Choose the family FN xxx with the required body style and features, and add -?? to determine current rating, and /?? for output connections. Example: FN 9260-1/06 is a horizontal screw-mounting filter for twin fuses, rated for 1A, with fast-on outputs.

### Approvals



Family	Current ratings A at 40°C (25°)				Output connection	Housing		For fuse(s) Nbr.
	1 (1.2)	2 (2.3)	4 (4.6)	6 (6.9)				
FN 261 -?? /??	-1	-2	-4	-6	/06	✓	-	1
FN 261S -?? /??	-1	-2	-4	-6	/06	-	✓	1
FN 9260 -?? /??	-1	-2	-4	-6	/06	✓	-	2
FN 9260S -?? /??	-1	-2	-4	-6	/06	-	✓	2

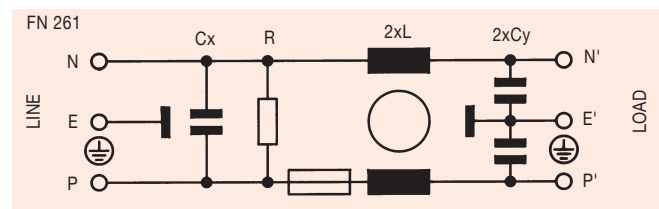
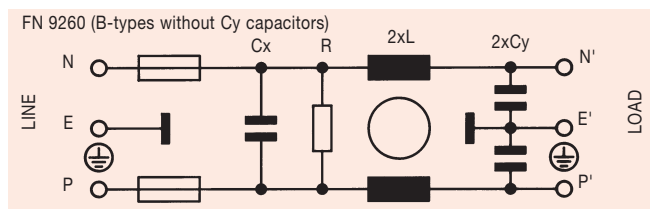
Inductance L mH			
5.3	2.7	1	0.3

### Additional specifications

Filter type	Capacitance		Maximum leakage µA/phase	Res. R MΩ	Weight g	Maximum operating volt.		Operating frequency Hz	Hipot test voltage	
	Cx nF	Cy nF				VAC	Hz		PN→E VAC	P→N VDC
All standard types	100	2.2	190	1	50	250	50/60	DC to 400	2000	1700
FN 9260B types (medical)	100	-	2	1	50	250	50/60	DC to 400	2500	1700

MTBF at 40°C, 230V, per Mil-HB-217F: 2,200,000 hours

### Electrical schematics

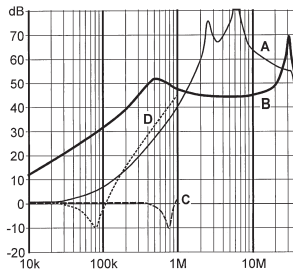


See tables for component values

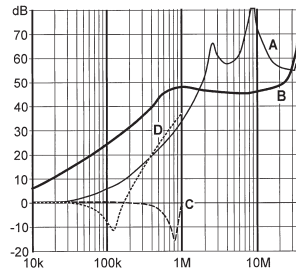
## FN 9260 insertion loss

Per CISPR 17; A = 50Ω/50Ω sym, B = 50Ω/50Ω asym, C = 0.1Ω/100Ω sym, D = 100Ω/0.1Ω sym

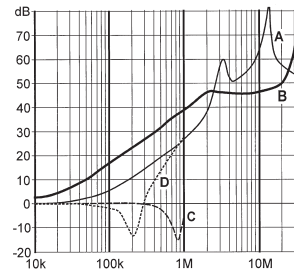
### 1 amp FN 26X types



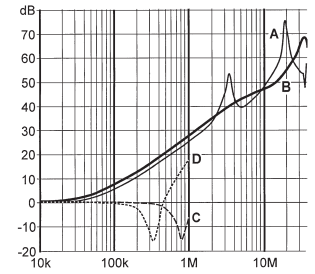
### 2 amp FN 26X types



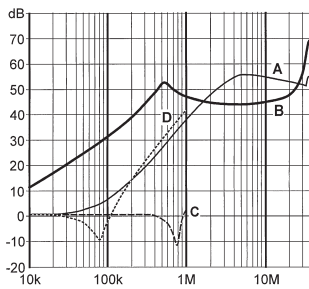
### 4 amp FN 26X types



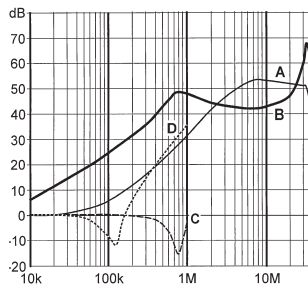
### 6 amp FN 26X types



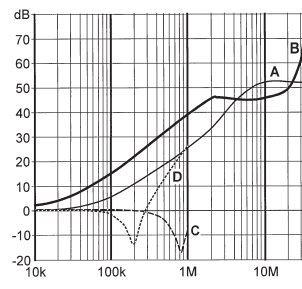
### 1 amp FN 926X types



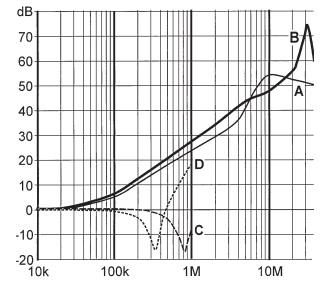
### 2 amp FN 926X types



### 4 amp FN 926X types



### 6 amp FN 926X types

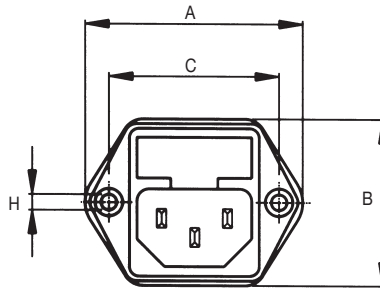


## Mechanical data

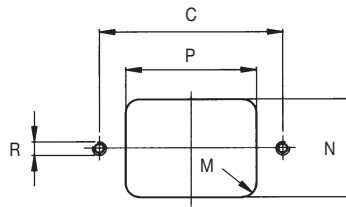
	FN 261 FN 9260	FN 261S FN 9260S	Tol. mm
A	46	34	± 0.3
B		35	± 0.3
C	36		± 0.2
D		41	± 0.3
E		27.9	+0.2 -0
F	5.5		± 0.3
G		32.2	+0 -0.2
H	∅3.3		± 0.1
J		12.5	± 0.3
M	R≤3.5		-
N	33.2	29.5	± 0.1
P	29.2	33.0	± 0.1
R	M3		-
S	90°		-
T		panel thickness 1.0-1.6mm	-

## FN 261/FN 9260

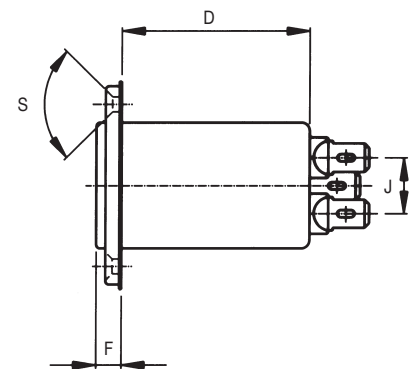
### FRONT



### PANEL CUT-OUT

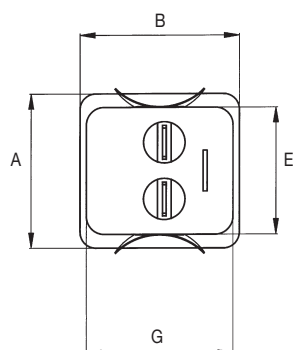


### TOP

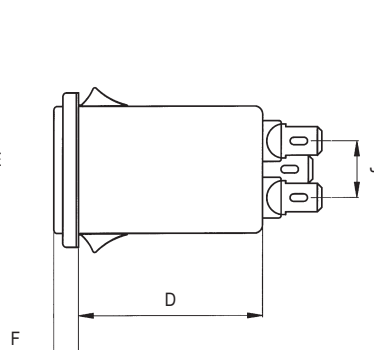


## FN 261S/FN 9260S

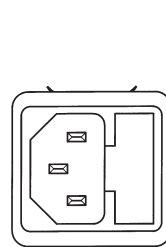
### REAR



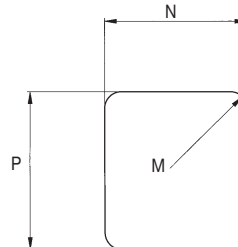
### TOP



### FRONT

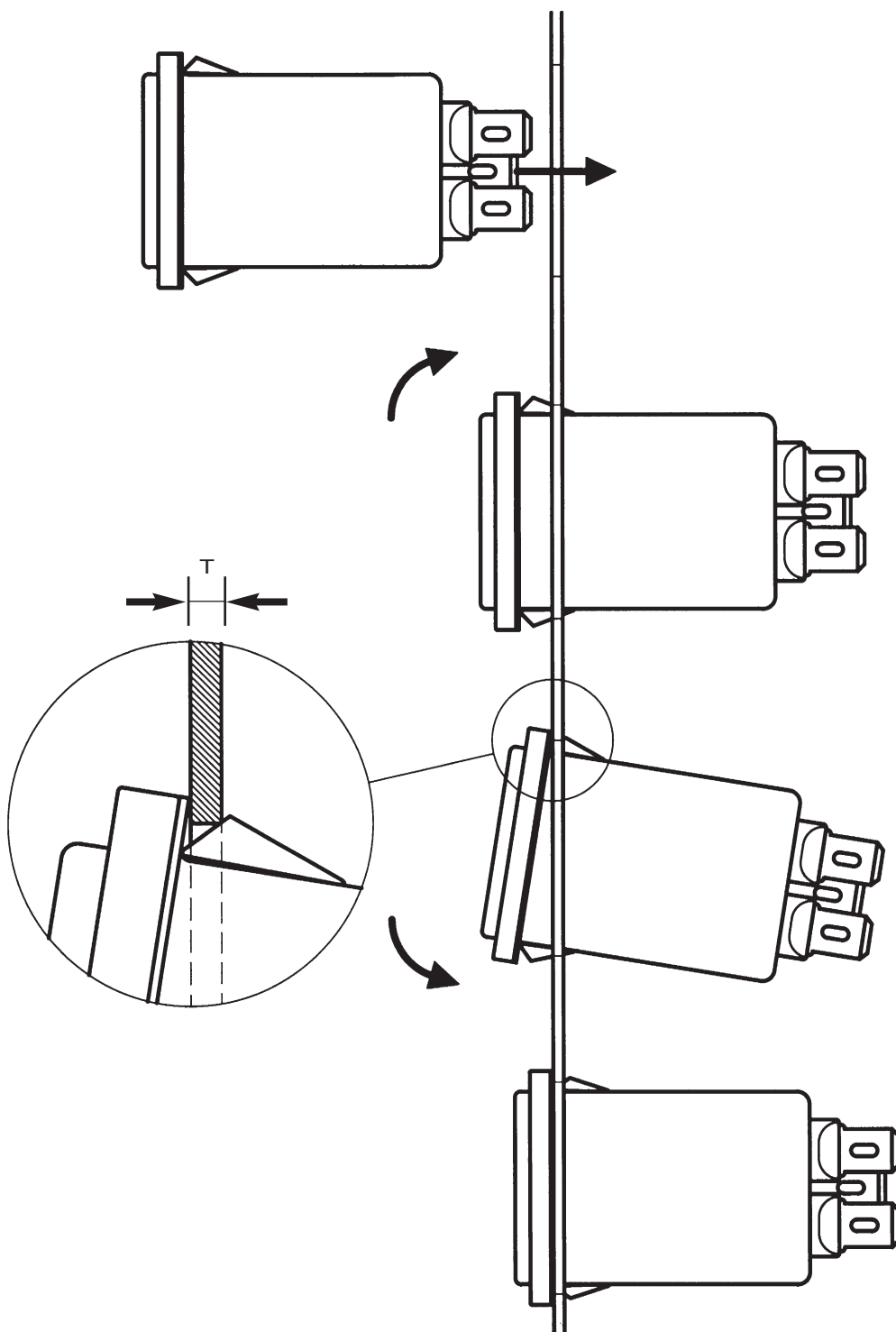


### PANEL CUT-OUT



All dimensions in mm; 1 inch = 25.4mm

Installation instructions snap-in FN 9222S/FN 9223S/FN 9224S/FN 9260S



Filter type FN 92xxS-??/??	Thickness of mounting panels T
- 05	0.5 - 1.0mm
- 10	1.0 - 1.5mm
- 15	1.5 - 2.0mm