

PLEASE CHECK WWW.MOLEX.COM FOR LATEST PART INFORMATION

Part Number: [0747370010](#)
Status: **Active**
Overview: SFP+ and SFP Interconnect Solutions
Description: SFP One Piece Cage, EMI Shielding, 3.38mm Solder Post Tails

Documents:

[3D Model](#) [Application Specification AS-74737-001 \(PDF\)](#)
[Drawing \(PDF\)](#) [RoHS Certificate of Compliance \(PDF\)](#)

General

Product Family	EMI Cages
Series	74737
Application	Module-to-Board
Component Type	Cage Assembly
Mates With	74720 SFP Copper Module, 73929 SFP Cable Assembly, Passive, 2 Gbps, 73930 SFP Cable Assembly, Active, 2 Gbps, 74742 SFP Cable Assembly, Passive, 4 Gbps, 74743 SFP Cable Assembly, Active, 4 Gbps
Overview	SFP+ and SFP Interconnect Solutions
Product Name	SFP
UPC	822350185820
Use With	74441 Connector

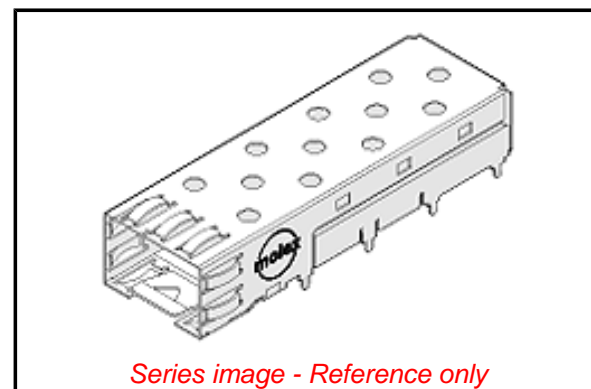
Physical

EMI Panel / Bezel Mount	Spring Fingers
Light Pipes per Port	0
Material - Metal	Copper Alloy
Net Weight	4.310/g
Orientation	Horizontal
Packaging Type	Tray
Port Configuration	1x1
Rear Legs	0
Termination Interface: Style	Through Hole
Thermal Height	N/A
Thermal Solutions	Closed Top

Material Info

Reference - Drawing Numbers

Application Specification	AS-74737-001
Sales Drawing	SD-74737-010



Series image - Reference only

EU ELV

Not Relevant

EU RoHS

Compliant

REACH SVHC

Not Contained Per - ED/108/2014 (17 Dec 2014)

Halogen-Free

Status

Low-Halogen

Need more information on product environmental compliance?

Email productcompliance@molex.com
Please visit the [Contact Us](#) section for any non-product compliance questions.

China ROHS
ELV

Green Image
Not Relevant

Search Parts in this Series

[74737 Series](#)

PLEASE CHECK WWW.MOLEX.COM FOR LATEST PART INFORMATION