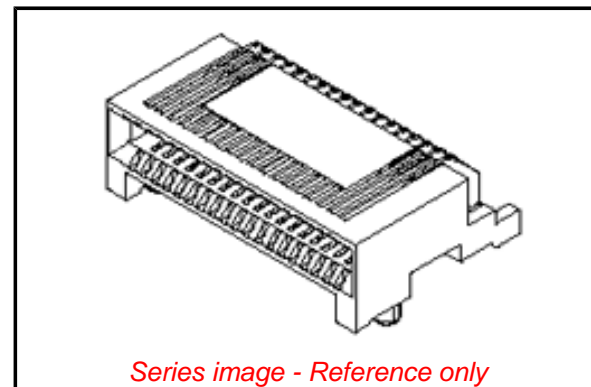


**PLEASE CHECK WWW.MOLEX.COM FOR LATEST PART INFORMATION**

**Part Number:** [0755860010](#)  
**Status:** **Active**  
**Overview:** [iPass™ Connector System](#)  
**Description:** 0.80mm Pitch, iPass™ I/O Surface Mount Receptacle, Right Angle, External Application, 38 Circuit, 0.38µm Gold (Au), Supports QSFP14 / FDR

**Documents:**

|  |  |
|--|--|
| <a href="#">3D Model</a>                                     | <a href="#">Packaging Specification PK-75586-002 (PDF)</a> |
| <a href="#">Drawing (PDF)</a>                                | <a href="#">Packaging Specification PK-75586-101 (PDF)</a> |
| <a href="#">Product Specification PS-75586-001 (PDF)</a>     | <a href="#">RoHS Certificate of Compliance (PDF)</a>       |
| <a href="#">Application Specification AS-75586-001 (PDF)</a> |  |



**Agency Certification**

|     |         |
|-----|---------|
| CSA | LR19980 |
| UL  | E29179  |

**General**

|                  |   |
|------------------|---|
| Product Family   | I/O Connectors                          |
| Series           | <a href="#">75586</a>                   |
| Application      | Wire-to-Board                           |
| Comments         | QSFP14 / FDR                            |
| Component Type   | Receptacle                              |
| Electrical Model | Yes                                     |
| Overview         | <a href="#">iPass™ Connector System</a> |
| Product Name     | iPass™, Mini Multi-Lane, PCI Express*   |
| Type             | N/A                                     |
| UPC              | 822348852499                            |

**Physical**

|                                |                                |
|--------------------------------|--------------------------------|
| Boot Color                     | N/A                            |
| Circuits (Loaded)              | 38                             |
| Circuits (maximum)             | 38                             |
| Color - Resin                  | Black                          |
| Durability (mating cycles max) | 50                             |
| Flammability                   | 94V-0                          |
| Gender                         | Female                         |
| Keying to Mating Part          | None                           |
| Lock to Mating Part            | None                           |
| Material - Metal               | High Performance Alloy (HPA)   |
| Material - Plating Mating      | Gold                           |
| Material - Plating Termination | Tin                            |
| Material - Resin               | High Temperature Thermoplastic |
| Net Weight                     | 0.977/g                        |
| Number of Rows                 | 2                              |
| Orientation                    | Right Angle                    |
| PCB Locator                    | Yes                            |
| PCB Retention                  | None                           |
| PCB Thickness - Recommended    | 1.35mm                         |
| Packaging Type                 | Embossed Tape on Reel          |
| Panel Mount                    | No                             |
| Pitch - Mating Interface       | 0.80mm                         |
| Pitch - Termination Interface  | 0.80mm                         |
| Plating min - Mating           | 0.381µm                        |
| Plating min - Termination      | 2.540µm                        |
| Polarized to Mating Part       | Yes                            |
| Polarized to PCB               | Yes                            |
| Ports                          | 1                              |

**EU ELV**

**Not Relevant**

**EU RoHS**

**Compliant**

**REACH SVHC**

Not Contained Per  
-ED/79/2015 (17  
December 2015)

**Halogen-Free**

**Status**

**Low-Halogen**

**Need more information on product environmental compliance?**

Email [productcompliance@molex.com](mailto:productcompliance@molex.com)  
Please visit the [Contact Us](#) section for any non-product compliance questions.

China ROHS

ELV

Green Image

Not Relevant

**Search Parts in this Series**

[75586](#) Series

**Mates With**

[74547](#) iPass™ Cable Assembly

**Use With**

[74548](#) I/O Connectors

|                                |                |
|--------------------------------|----------------|
| Surface Mount Compatible (SMC) | Yes            |
| Temperature Range - Operating  | -40°C to +80°C |
| Termination Interface: Style   | Surface Mount  |
| Waterproof / Dustproof         | No             |
| Wire Insulation Diameter       | N/A            |
| Wire Size AWG                  | N/A            |

**Electrical**

|                               |                 |
|-------------------------------|-----------------|
| Current - Maximum per Contact | 0.5A            |
| Grounding to Panel            | N/A             |
| Shielded                      | No              |
| Voltage - Maximum             | 30V AC (RMS)/DC |

**Solder Process Data**

|  |        |
|--|--------|
| Duration at Max. Process Temperature (seconds) | 020    |
| Lead-free Process Capability                   | REFLOW |
| Max. Cycles at Max. Process Temperature        | 001    |
| Process Temperature max. C                     | 260    |

**Material Info****Reference - Drawing Numbers**

|                           |                            |
|---------------------------|----------------------------|
| Application Specification | AS-75586-001               |
| Electrical Model Document | EE-75586-001               |
| Packaging Specification   | PK-75586-002, PK-75586-101 |
| Product Specification     | PS-75586-001               |
| S-Parameter Model         | SP-75586-001               |
| Sales Drawing             | SD-75586-001               |
| Signal Integrity Report   | SI-75586-0001              |

\*PCI Express is a registered trademark of PCI-SIG®.

This document was generated on 06/13/2016

**PLEASE CHECK [WWW.MOLEX.COM](http://WWW.MOLEX.COM) FOR LATEST PART INFORMATION**