

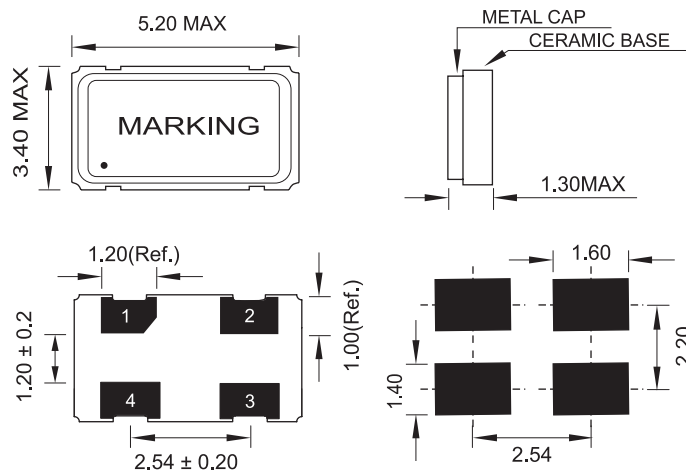
RoHS Compliant  
Pb - Lead Free

Ltr	Revisions	Date	Appr

**Electrical Specifications:**

<b>Nominal Frequency</b>	<b>48.000</b>	<b>MHz</b>
<b>Temperature Stability</b>	<b>±50</b>	<b>PPM Max</b>
<b>Aging per Year</b>	<b>±3</b>	
<b>Operating Temperature Range (Extended)</b>	<b>-40 to +85</b>	<b>°C</b>
<b>Storage Temperature Range</b>	<b>-55 to +125</b>	
<b>Supply Voltage</b>	<b>3.3 ± 5%</b>	<b>Vdc</b>
<b>Supply Current</b>	<b>20</b>	<b>mA Max</b>
<b>Output Voltage</b>	<b>Logic High (Voh)</b>	<b>90%</b>
	<b>Logic Low (Vol)</b>	<b>10%</b>
<b>Output Symmetry</b>	<b>40 to 60</b>	<b>%</b>
<b>Output Load</b>	<b>15</b>	<b>pF HCMOS</b>
<b>Rise and Fall Time</b>	<b>10</b>	<b>ns Max</b>
<b>Enable-Disable Function</b>	<b>Tri-State</b>	<b>-</b>

**Mechanical Specifications:**



#1 : E/D    #2 : GND  
#4 : VDC    #3 : OUTPUT

Bottom

Recommended Land Pattern



11-3 Chien-Kuo Rd T.E.P.Z. 4027 Taiwan, ROC

All dimensions are millimeters.

CAD: TR

Review: SL

Appr: AL

Page: 1/1    Date: Jan. 16, 2008

Specification Title:

**Clock Oscillator**

**5 x 3.2 mm SMD**

**Product Specification**

**Farnell Order Code: 1538905**

Part Number: **S53305-48.000-X**