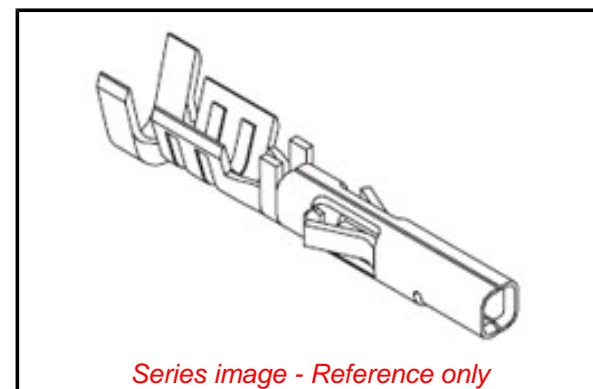


PLEASE CHECK WWW.MOLEX.COM FOR LATEST PART INFORMATION

Part Number: **0430300006**
Status: **Active**
Overview: Micro-Fit 3.0™ Connectors
Description: Micro-Fit 3.0™ Crimp Terminal, Female, with Select Gold (Au) Plated Phosphor Bronze Contact, 26-30 AWG, Reel

Documents:

3D Model	RoHS Certificate of Compliance (PDF)
Drawing (PDF)	Product Literature (PDF)
Product Specification PS-43045 (PDF)	



General

Product Family	Crimp Terminals
Series	43030
Application	Power
Crimp Quality Equipment	Yes
Overview	Micro-Fit 3.0™ Connectors
Packaging Alternative	43030-0012 (Loose)
Product Literature Order No	987650-5984
Product Name	Micro-Fit 3.0™
UPC	800754320993

Physical

Gender	Female
Material - Metal	Phosphor Bronze
Material - Plating Mating	Gold
Material - Plating Termination	Tin
Net Weight	0.089/g
Packaging Type	Reel
Plating min - Mating	0.762µm
Plating min - Termination	2.540µm
Termination Interface: Style	Crimp or Compression
Wire Insulation Diameter	1.27mm max.
Wire Size AWG	26, 28, 30
Wire Size mm²	N/A

Electrical

Current - Maximum per Contact	5.0A
-------------------------------	------

Solder Process Data

Lead-free Process Capability	N/A
------------------------------	-----

Material Info

Reference - Drawing Numbers

Product Specification	PS-43045
Sales Drawing	SD-43030-****

EU ELV

Not Relevant

EU RoHS

Compliant

China RoHS

REACH SVHC

Not Contained Per - ED/21/2016 (20 June 2016)

Halogen-Free

Status

Low-Halogen

Need more information on product environmental compliance?

Email productcompliance@molex.com
Please visit the [Contact Us](#) section for any non-product compliance questions.

China ROHS
ELV

Green Image
Not Relevant

Search Parts in this Series

[43030 Series](#)

Use With

[43025](#) , [43645](#) Micro-Fit 3.0™ Receptacle Housings, [44133](#) Micro-Fit BMI™ Panel Mount Receptacle Housings

Application Tooling | FAQ

Tooling specifications and manuals are found by selecting the products below. Crimp Height Specifications are then contained in the Application Tooling Specification document.

Global

Description	Product #
Hand Crimp Tool	0638190000
Extraction Tool	0011030043
Insertion Tool for Crimp Terminal	0638120800

FineAdjust™ Applicator for Insulation OD 0.63-1.10mm, 26-30 AWG	<u>0639001600</u>
FineAdjust™ Applicator for Insulation OD 1.12-1.27mm, 26-30 AWG Wire	<u>0639004400</u>
T2 Terminator™ for insulation OD 1.12-1.27mm - 26-30 AWG	<u>0639104400</u>
Japan	
Description	Product #
Applicator for M21 1A Bench Press, 20-30 AWG Wire	<u>0572983000</u>

This document was generated on 07/08/2016

PLEASE CHECK WWW.MOLEX.COM FOR LATEST PART INFORMATION