

**PLEASE CHECK WWW.MOLEX.COM FOR LATEST PART INFORMATION**

**Part Number:** [0039012181](#)  
**Status:** **Active**  
**Overview:** [Mini-Fit Jr.™ Power Connectors](#)  
**Description:** Mini-Fit Jr.™ Plug Housing, Dual Row, 18 Circuits, UL 94V-2, Natural

**Documents:**

[3D Model](#) [Product Specification PS-5556-001 \(PDF\)](#)  
[Drawing \(PDF\)](#) [RoHS Certificate of Compliance \(PDF\)](#)

**Agency Certification**

CSA LR19980  
 UL E29179

**General**

Product Family Crimp Housings  
 Series [5559](#)  
 Application Power, Wire-to-Board, Wire-to-Wire  
 Comments Current = 13A max. per circuit when header is mated to a receptacle loaded with [45750](#) series terminals crimped to 16 AWG wire. . See Molex product specification PS-45750-001 for additional current derating information.. Not for use with Strain Relief.  
 MolexKits Yes  
 Overview [Mini-Fit Jr.™ Power Connectors](#)  
 Product Name Mini-Fit Jr.™  
 UPC 800753583993

**Physical**

Breakaway No  
 Circuits (maximum) 18  
 Color - Resin Natural  
 Flammability 94V-2  
 Gender Plug  
 Glow-Wire Compliant No  
 Material - Resin Nylon  
 Net Weight 5288.300/mg  
 Number of Rows 2  
 Packaging Type Bag  
 Panel Mount Yes  
 Pitch - Mating Interface 4.20mm  
 Pitch - Termination Interface 4.20mm  
 Polarized to Mating Part Yes  
 Stackable No  
 Temperature Range - Operating -40°C to +105°C

**Electrical**

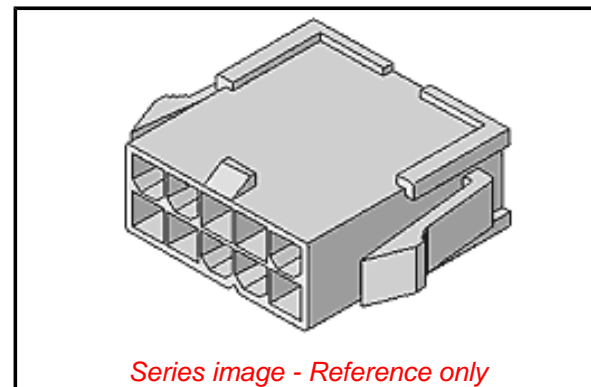
Current - Maximum per Contact 13.0A

**Material Info**

Old Part Number 5559-18P

**Reference - Drawing Numbers**

Product Specification PS-5556-001  
 Sales Drawing SD-5559-NP



**EU ELV**

**Not Relevant**

**EU RoHS**

**Compliant**

**REACH SVHC**

Not Contained Per - ED/21/2016 (20 June 2016)

**Halogen-Free**

**Status**

**Low-Halogen**

**Need more information on product environmental compliance?**

Email [productcompliance@molex.com](mailto:productcompliance@molex.com)  
 Please visit the [Contact Us](#) section for any non-product compliance questions.

China ROHS

ELV

Green Image

Not Relevant

**Search Parts in this Series**

[5559](#) Series

**Mates With**

[5557](#) Dual Row Receptacle Housing

**Use With**

[5558](#) , [30490](#) Male Terminal

**PLEASE CHECK [WWW.MOLEX.COM](http://WWW.MOLEX.COM) FOR LATEST PART INFORMATION**