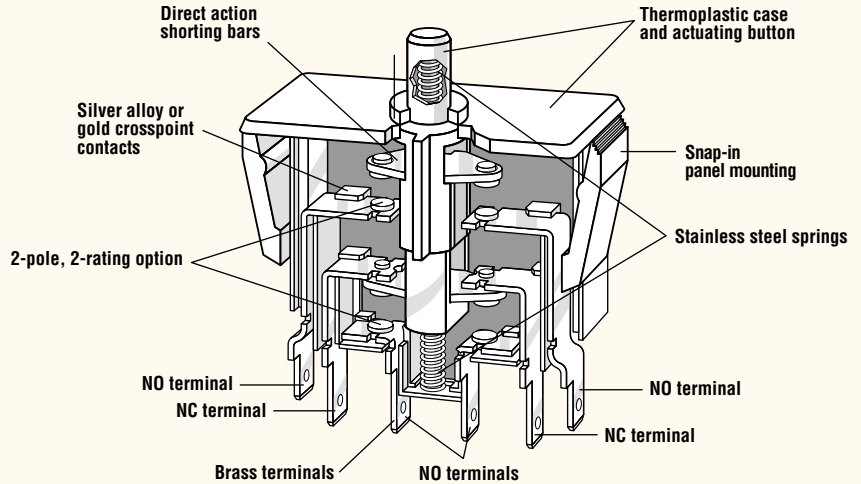


LINE INTERRUPT F80 Series

Features

- Snap-in panel mounting
- High overtravel
- Choice of button barrier or standard housing
- 3 terminal types
- Double make/double break shorting bars
- Agency approved extended-life versions available
- International approval available
- 3mm (0.12") minimum contact gaps
- Over 200 versions available



Electrical Ratings

Switch Series	EN61058 Rating	UL1054 Rating	Electrical Life at Rated Load	
			According to VDE (Min. Operations)	According to UL (Min. Operations)
F81	10(3)A, 400VAC	10A, 125/250VAC, 3/4HP, 125VAC 1-1/2HP, 250VAC; 6A, 30VDC	50,000	6,000*
F82	16(6)A, 250VAC	16A, 125/250VAC, 3/4HP, 125VAC 1-1/2HP, 250VAC; 6A, 30VDC	50,000	6,000*
F83	0.1(0.5)A, 250VAC	0.1A, 125/250VAC	50,000	6,000*
F84	Mixed Ratings Consult Factory	Combines two different ratings in a single switch. Consult factory for special part number.	50,000	6,000*

*Indicates 100K life available.

Specifications

Electrical

Temperature Rating: -25° to +85°C

Flammability Rating: UL94V-O

Materials

Case: Thermoplastic Polyester

Actuating Button: Thermoplastic Polyester

Terminals: Brass

Moving Blade: Brass

Springs: Stainless Steel

Guide Pin: Thermoplastic Nylon

Contacts: Silver Alloy (F81, F82)

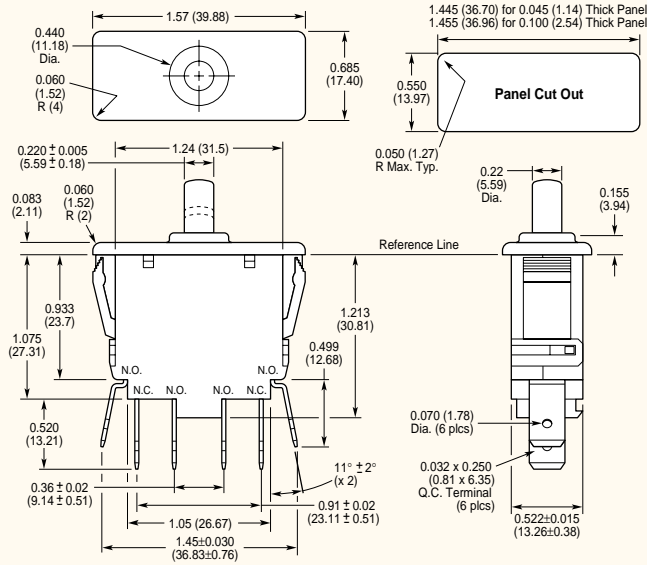
Gold Crosspoint (F83)

Silver Alloy/Gold Crosspoint (F84)

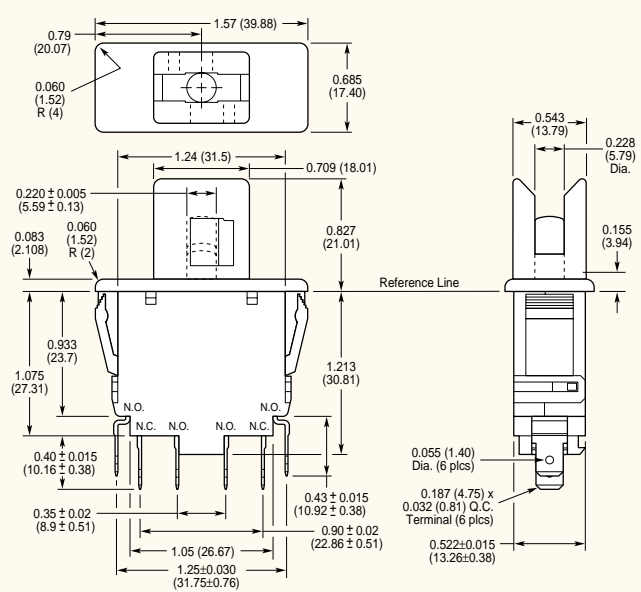


Dimensions inches (mm)

Basic Case Housing (F82J-A120)



Button Barrier Housing (F81J-B110)

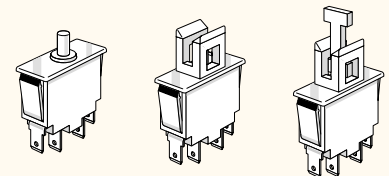


Actuator Specifications

Switch Type	Maximum Operating Force (g)	Maximum Pre-Travel inches (mm)	Operating Point inches (mm)	Minimum Overtravel inches (mm)	Full Over-Travel Position inches (mm)	Max. Rest Position* inches (mm)
F81J-A120	866	0.236 (5.99)	0.354±0.030 (8.99±0.76)	0.079 (2.01)	0.314 (7.98)	0.551 (14.00)
F82J-A120	866	0.236 (5.99)	0.354±0.030 (8.99±0.76)	0.079 (2.01)	0.314 (7.98)	0.551 (14.00)
F81A-A120	866	0.236 (5.99)	0.354±0.030 (8.99±0.76)	0.079 (2.01)	0.314 (7.98)	0.551 (14.00)
F82A-A120	866	0.236 (5.99)	0.354±0.030 (8.99±0.76)	0.079 (2.01)	0.314 (7.98)	0.551 (14.00)
F81X-A120	866	0.236 (5.99)	0.354±0.030 (8.99±0.76)	0.079 (2.01)	0.314 (7.98)	0.551 (14.00)
F82X-A120	866	0.236 (5.99)	0.354±0.030 (8.99±0.76)	0.079 (2.01)	0.314 (7.98)	0.551 (14.00)
F82Y-A120**	250	0.030 (0.76)	0.354±0.030 (8.99±0.76)	0.250 (6.35)	0.314 (7.98)	0.490 (12.45)

*Measured above reference line. **Operating Force and Pretravel are measured when N.C. Pole Breaks.

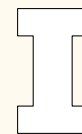
Case Styles



Basic Case Housing

Button Barrier Housing

Button Barrier with "Cheat" Interlock Tool



"Cheat" Interlock

Part Number:

White: 0014-4945

Red: 0014-5451

Ordering Information

Code	Current Rating	
	UL/CSA	VDE
1	10A, 125/250VAC; 3/4HP, 125VAC; 1.5HP, 250VAC; 6A @ 30VDC	10(3)A 400VAC
2	16A, 125/250VAC; 3/4HP, 125VAC; 1.5HP, 250VAC; 6A @ 30VDC	16(6)A 250VAC
3	0.1A, 125/250VAC	0.1(0.5)A 250VAC
4*	Mixed Ratings	

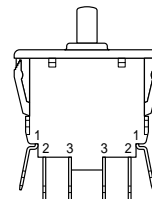
*Special order — contact factory.

Code	Pole	Contact Configuration
A	1 & 3 2	SPST NO DM Vacant
J	1 2 3	SPST NO DM SPDT NC DB SPDT NO DM
X	1 & 2 3	Vacant SPST NO DM
Y	1 & 3 2	Vacant SPST NC DB
Z	1 2 3	Vacant SPDT NC BD SPDT NO DM
V	1 2 & 3	SPST NO DM Vacant

DB = Dead Break • DM = Dead Make

Code	Case
A	Basic
B	Actuator Barrier

Pole Identification



Code	Type
1	Standard
W	Special

Code	Terminal Type	inches (mm)
10	0.187 x 0.020 (4.75 x 0.51) QC	
20	0.250 x 0.032 (6.35 x 0.81) QC	
40	0.187 x 0.032 (4.75 x 0.81) QC	

**To order 100,000 cycle UL approved switch, last digit of part number must be 'L'. For example: F81J-A12L