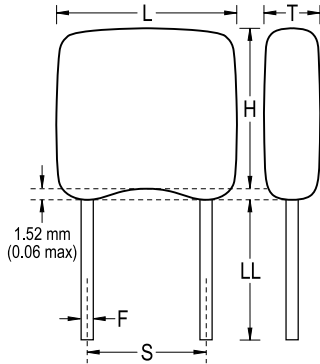


Capacitor, ceramic, 330 pF, +/-1% Tol, 100 V, COG, Lead Spacing=0.1"



Dimensions (mm)

| Symbol | Dimension | Tolerance |
|--------|-----------|-----------|
| L | 3.81 | MAX |
| H | 3.14 | MAX |
| T | 2.54 | MAX |
| S | 2.54 | NOM |
| LL | 7 | MIN |
| F | 0.51 | NOM |

Packaging Specifications

| | |
|-------------------|------|
| Package Kind: | Bulk |
| Package Type: | Bag |
| Package Quantity: | 500 |

General Information

| | |
|--------------------------|------------------|
| Supplier: | KEMET |
| Application: | General Purpose |
| Temperature Coefficient: | COG |
| Body Type: | Radial Conformal |
| Lead Type: | Wire Leads |
| Termination Type: | Tin (Sn) |
| RoHS: | Yes |

Specifications

| | |
|------------------------|-----------|
| Capacitance: | 330 pF |
| Voltage: | 100 V |
| Tolerance: | +/-1% |
| Temperature Range: | -55/+125C |
| Failure Rate: | N/A |
| Dissipation Factor: | 0.1% |
| Insulation Resistance: | 100 GOhm |
| Dielectric Strength: | 250 V |