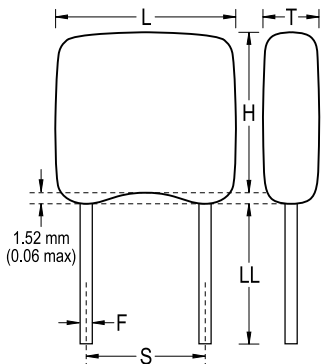


Capacitor, ceramic, 0.1 uF, +/-5% Tol, 100 V, X7R, Lead Spacing=0.1"



**Dimensions (mm)**

Symbol	Dimension	Tolerance
L	5.08	MAX
H	5.84	MAX
T	3.18	MAX
S	2.54	NOM
LL	7	MIN
F	0.51	NOM

**Packaging Specifications**

Package Kind:	Bulk
Package Type:	Bag
Package Quantity:	500

**General Information**

Supplier:	KEMET
Application:	General Purpose
Temperature Coefficient:	X7R
Body Type:	Radial Conformal
Lead Type:	Wire Leads
Termination Type:	Tin (Sn)
RoHS:	Yes

**Specifications**

Capacitance:	0.1 uF
Voltage:	100 V
Tolerance:	+/-5%
Temperature Range:	-55/+125C
Failure Rate:	N/A
Dissipation Factor:	2.5%
Insulation Resistance:	10 GOhm
Dielectric Strength:	250 V