

D.C. geared motors with brushes

→ 2 Nm 3.9 Watts

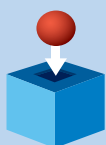
- A range of D.C. geared motors with ovoid gearbox. Mechanical rating of gearbox with output shaft stalled : 2 Nm.
- 3.9 Watt motor versions.
- Available in either 12 or 24 V D.C.
- Gearbox ratios options for 0.36 to 430 rpm.
- Alternative shaft options.



Specifications

		3.9 Watts	3.9 Watts
Type		82 869 0	82 869 0
Voltage		12 V	24 V
Output speed (rpm)	Ratios (i)		
108	40	82 869 001	82 869 011
54	80	82 869 006	82 869 012
27	160	82 869 007	82 869 013
13	320	82 869 008	82 869 014
7.2	600	82 869 009	82 869 015
5.4	800	•	•
2.9	1500	82 869 010	82 869 016
0.90	4800	•	•
General characteristics			
Motor		82 860 0	82 860 0
Gearbox		81 033 0	81 033 0
Maximum permitted torque from gearmotor under continuous conditions for 1 millions turns (Nm)		2	2
Axial load static (daN)		1	1
Radial load static (daN)		10	10
Max. output (W)		3.9	3.9
Nominal output (W)		3	3
Gearbox case temperature rise (°C)		50	50
Weight (g)		240	240

Product adaptations

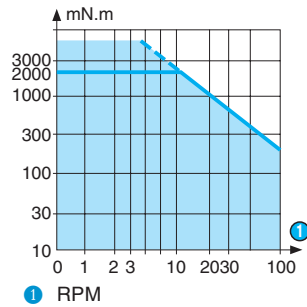


- Special supply voltages
- Special cable lengths
- Optional encoder
- Special connectors
- Special output shafts
- Special gearbox ratios
- Special gear wheel material
- Special output bearings
- Special mounting plate

Curves

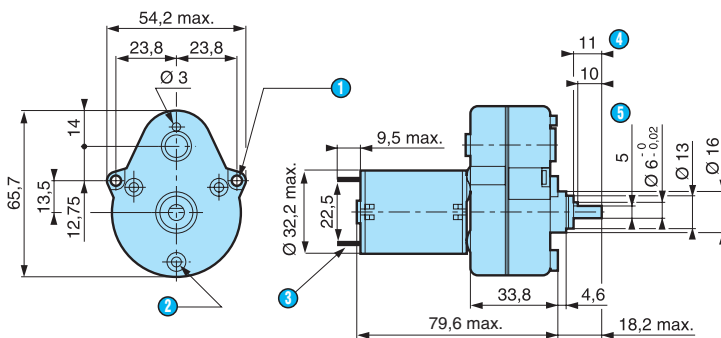
The shaded zone represents the operating range of the geared motor.
The horizontal line marks the maximum torque available in continuous duty cycle for a given life.
For higher torque ratings, service life will be reduced.

Nominal speed and torque curves



Dimensions

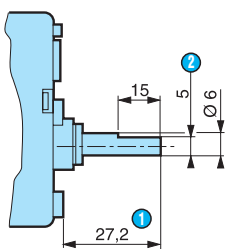
82 869 0



- 1 2 fixing holes $\text{Ø } 3.2$
- 2 3 bosses $\text{Ø } 7.2$ at 120° on $R=19.5$ with 3 M3 holes
- 3 2 tags NFC 20-120 series 2.8×0.5 mm
- 4 (shaft pushed-in \leftarrow)
- 5 5 mm across flats

Options

Shaft 79 202 573



- 1 (shaft pushed-in \leftarrow)
- 2 5 across flat