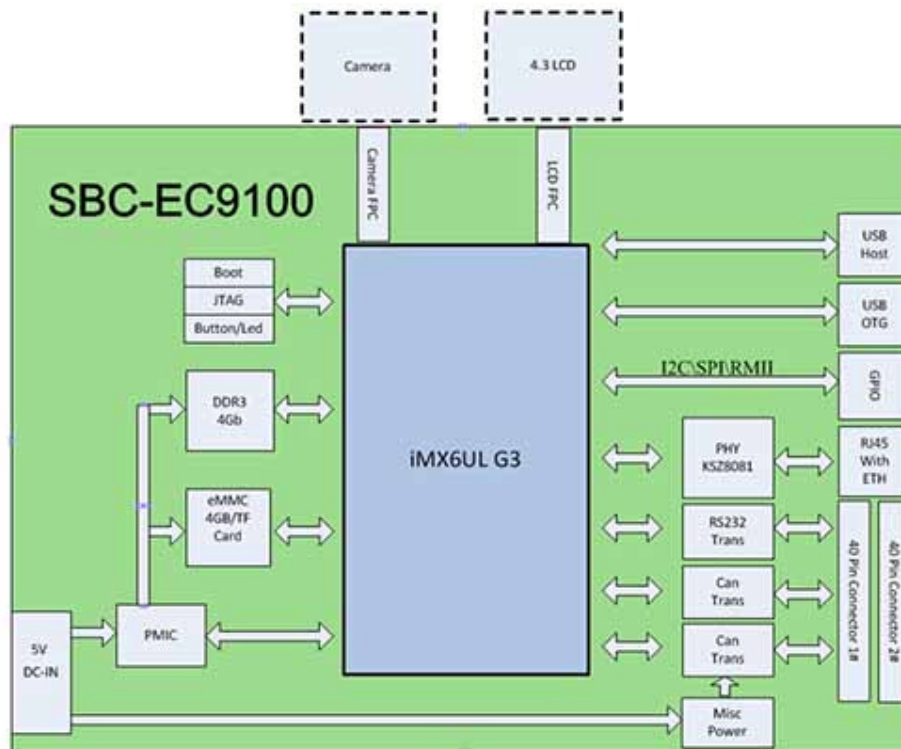


## Product Overview

# SBC-EC9100

SBC-EC9100 is a high-performance and energy efficient single board computer designed by Embest. It is based on Freescale i.MX 6UL Cortex-A7 processor, and integrates 512MB DDR and 4GB eMMC. SBC-EC9100 provides rich extension interface under a compact size. In addition, the external expansion 2\* 40pins headers also provide many extension signal, and one header compatible with Raspberry Pi 40Pin external interface. SBC-EC9100 is a high-quality single board computer solutions for industrial control, medical equipment, laboratory equipment.

## Function Chart



## Features and interface

- Freescale I.MX6UL G3, ARM Cortex A7 processor, 528M HZ
- Onboard 512 MB DDR3, 4GB eMMC
- 24 Bit LCD
- Support 10bit camera
- 1\* 100M Ethernet, 1\*USB OTG,1\* USB Host ,Micro SD card,1\* industrial WIFI(Optional)
- External expansion 2\* 40pins headers, one header compatible with Raspberry Pi 40Pin external interface,Support 1\* Uart, 1\*485, 2\*CAN, 1\*SPI, 1\*I2S, 1\*RMII, ADC, PWM.