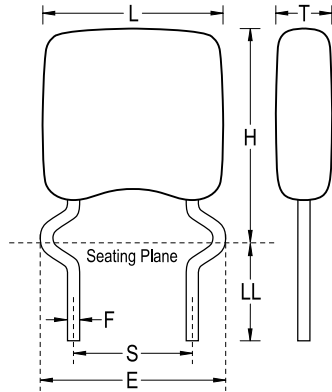


KEMET Part Number: C326C104K5R5TA
(C326C104K5R5TABULK)

Capacitor, ceramic, 0.1 uF, +/-10% Tol, 50 V, X7R, Lead Spacing=0.1"



General Information	
Supplier:	KEMET
Application:	General Purpose
Temperature Coefficient:	X7R
Body Type:	Radial Conformal
Lead Type:	CrimpedOut
Termination Type:	Tin (Sn)
RoHS:	Yes

Dimensions (mm)		
Symbol	Dimension	Tolerance
L	5.08	MAX
H	7.62	MAX
T	3.18	MAX
S	2.54	NOM
LL	5.08	MIN
F	0.51	NOM
E	5.08	NOM

Specifications	
Capacitance:	0.1 uF
Voltage:	50 V
Tolerance:	+/-10%
Temperature Range:	-55/+125C
Failure Rate:	N/A
Dissipation Factor:	2.5%
Insulation Resistance:	10 GOhm
Dielectric Strength:	125 V

Packaging Specifications	
Package Kind:	Bulk
Package Type:	Bag
Package Quantity:	500