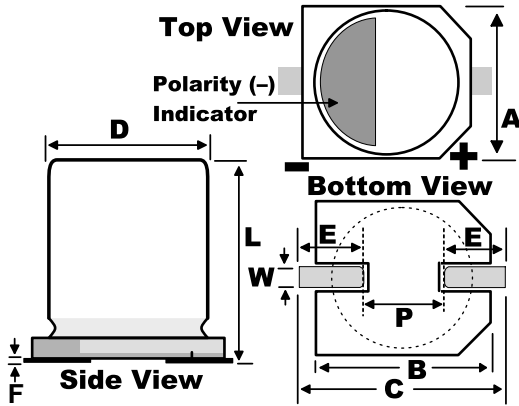


Capacitor, aluminum, 100 uF, +/-20% Tol, 35 VDC@105C



Dimensions (mm)		
Symbol	Dimension	Tolerance
D	8	+/-0.5
L	10.2	+/-0.3
A	8.3	+/-0.2
B	8.3	+/-0.2
C	10	MAX
W	0.9	+/-0.2
E	3.4	+/-0.2
P	3.1	+/-0.2
F	0.3	MAX

Packaging Specifications	
Package Kind:	T&R
Package Size:	380mm
Package Quantity:	500

General Information	
Supplier:	KEMET
Application:	105C Low Z
Hi Temp Solder:	Yes
Part Type Description:	Surface Mount Aluminum Electrolytic
Lead Type:	V-Chip
RoHS:	Yes

Specifications	
Capacitance:	100 uF
Voltage:	35 VDC
Tolerance:	+/-20%
Voltage:	44 VDC (Surge)
Rated Temperature:	105C
Temperature Range:	-40/+105C
Life:	5000 Hrs
Leakage Current:	35 uA
Leakage Condition:	uAmps (2min 20C)
Dissipation Factor:	12%
Impedance Ratio -25C:	2.0
Impedance Ratio -40C:	3.0
Resistance/ESR:	0.16 Ohms (100kHz)
Current/Ripple Current:	420 mAmps (120Hz)
Current/Ripple Current:	840 mAmps (120Hz 85C)
Current/Ripple Current:	600 mAmps (100kHz)