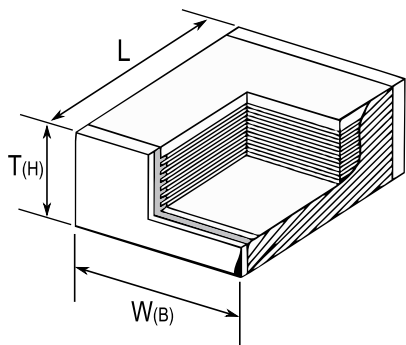


**KEMET Part Number: LDBCC3100JC5N0**  
(DBCC3100JC5N0)

Capacitor, film, Metallized PPS (Stacked), 0.1 uF, +/-5% Tol, General Purpose, 50 VDC@125C



Note: '()' correspond to the letters used in the product bulletin

Dimensions (mm)		
Symbol	Dimension	Tolerance
L	4.7	+0.3/-0.2
W	3.3	+/-0.3
T	2	MAX

Packaging Specifications	
Package Kind:	T&R
Package Size:	Standard
Package Quantity:	3000

General Information	
Supplier:	KEMET
Dielectric:	Metallized PPS (Stacked)
Application:	General Purpose
Style:	Surface Mount
Chip Size:	1812 (4532 metric)
RoHS:	Yes

Specifications	
Capacitance:	0.1 uF
Voltage:	50 VDC
Tolerance:	+/-5%
Voltage AC:	40 VAC
Rated Temperature:	125C
Temperature Range:	-55/+125C
Dissipation Factor @ 1 kHz:	0.6%
Insulation Resistance:	3 GOhm