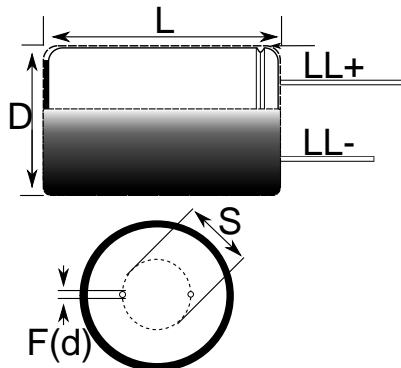


Capacitor, aluminum, 2200 uF, +/-20% Tol, -40/+105C, 50 VDC@105C



Note: '()' correspond to the letters used in the product bulletin

| Dimensions (mm) | | |
|-----------------|-----------|-----------|
| Symbol | Dimension | Tolerance |
| D | 18 | +/-0.5 |
| L | 36 | +2 |
| S | 7.5 | +/-0.5 |
| LLPos | 20 | MIN |
| LLNeg | 15 | MIN |
| F | 0.8 | NOM |

| Packaging Specifications | |
|--------------------------|------|
| Package Kind: | Bulk |
| Package Type: | Bag |
| Package Quantity: | 500 |

| General Information | |
|------------------------|----------------------------------------------------|
| Supplier: | KEMET |
| Application: | 105C Low Z |
| Part Type Description: | Low-Z/Long-Life Single Ended Aluminum Electrolytic |
| Lead Type: | Wire Leads |
| RoHS: | Yes |

| Specifications | |
|-------------------------|--------------------------|
| Capacitance: | 2200 uF |
| Voltage: | 50 VDC |
| Tolerance: | +/-20% |
| Voltage: | 63 VDC (Surge) |
| Life: | 10000 Hrs |
| Rated Temperature: | 105C |
| Temperature Range: | -40/+105C |
| Leakage Current: | 1.1 mA |
| Leakage Condition: | uAmps (2min 20C) |
| Dissipation Factor: | 10% |
| Impedance Ratio -25C: | 2.0 |
| Impedance Ratio -40C: | 3.0 |
| Resistance/ESR: | 0.04 Ohms (100kHz 20C) |
| Current/Ripple Current: | 3680 mAmps (100kHz 105C) |