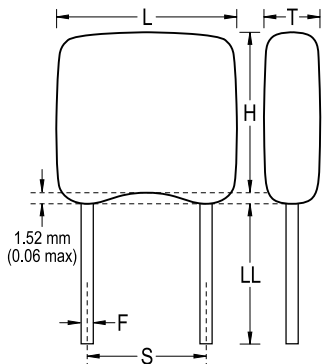


KEMET Part Number: C330C101JHG5TA
(C330C101JHG5TABULK)

Capacitor, ceramic, 100 pF, +/-5% Tol, 3000 V, COG, Lead Spacing=0.2"



Dimensions (mm)

Symbol	Dimension	Tolerance
L	7.62	MAX
H	9.14	MAX
T	5.08	MAX
S	5.08	NOM
LL	7	MIN
F	0.51	NOM

Packaging Specifications

Package Kind:	Bulk
Package Type:	Bag
Package Quantity:	250

General Information

Supplier:	KEMET
Application:	General Purpose
Temperature Coefficient:	COG
Body Type:	Radial Conformal
Lead Type:	Wire Leads
Termination Type:	Tin (Sn)
RoHS:	Yes

Specifications

Capacitance:	100 pF
Voltage:	3000 V
Tolerance:	+/-5%
Temperature Range:	-55/+125C
Failure Rate:	N/A
Dissipation Factor:	0.1%
Insulation Resistance:	100 GOhm
Dielectric Strength:	3600 V