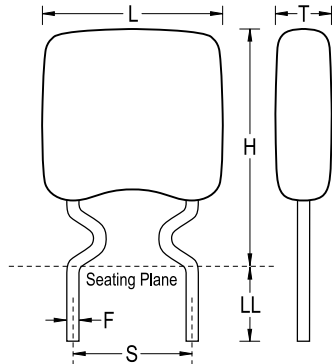


KEMET Part Number: C333C104K1R5TA
(C333C104K1R5TABULK)

Capacitor, ceramic, 0.1 uF, +/-10% Tol, 100 V, X7R, Lead Spacing=0.2"



General Information	
Supplier:	KEMET
Application:	General Purpose
Temperature Coefficient:	X7R
Body Type:	Radial Conformal
Lead Type:	Crimped In
Termination Type:	Tin (Sn)
RoHS:	Yes

Specifications	
Capacitance:	0.1 uF
Voltage:	100 V
Tolerance:	+/-10%
Temperature Range:	-55/+125C
Failure Rate:	N/A
Dissipation Factor:	2.5%
Insulation Resistance:	10 GOhm
Dielectric Strength:	250 V

Dimensions (mm)		
Symbol	Dimension	Tolerance
L	7.11	MAX
H	10.16	MAX
T	4.07	MAX
S	5.08	NOM
LL	7	MIN
F	0.51	NOM

Packaging Specifications	
Package Kind:	Bulk
Package Type:	Bag
Package Quantity:	250