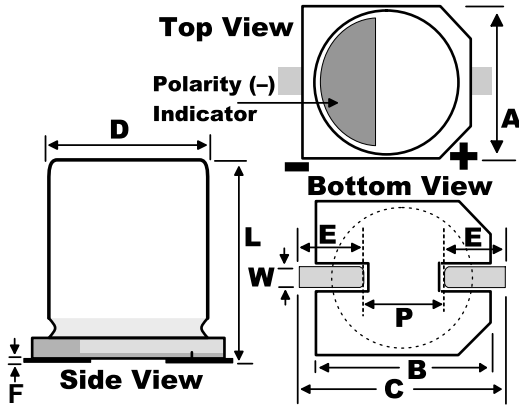


Capacitor, aluminum, 22 uF, +/-20% Tol, 6.3 VDC@105C



Dimensions (mm)		
Symbol	Dimension	Tolerance
D	4	+/-0.5
L	5.4	+0.25/-0.1
A	4.3	+/-0.2
B	4.3	+/-0.2
C	5.5	MAX
W	0.65	+/-0.1
E	1.8	+/-0.2
P	1	+/-0.2
F	0.3	MAX

Packaging Specifications	
Package Kind:	T&R
Package Size:	380mm
Package Quantity:	2000

General Information	
Supplier:	KEMET
Application:	105C Low Z
Hi Temp Solder:	Yes
Part Type Description:	Surface Mount Aluminum Electrolytic
Lead Type:	V-Chip
RoHS:	Yes

Specifications	
Capacitance:	22 uF
Voltage:	6.3 VDC
Tolerance:	+/-20%
Voltage:	8 VDC (Surge)
Rated Temperature:	105C
Temperature Range:	-40/+105C
Life:	3000 Hrs
Leakage Current:	3 uA
Leakage Condition:	uAmps (2min 20C)
Dissipation Factor:	26%
Impedance Ratio -25C:	2.0
Impedance Ratio -40C:	3.0
Resistance/ESR:	1.93 Ohms (100kHz)
Current/Ripple Current:	63 mAmps (120Hz)
Current/Ripple Current:	126 mAmps (120Hz 85C)
Current/Ripple Current:	90 mAmps (100kHz)