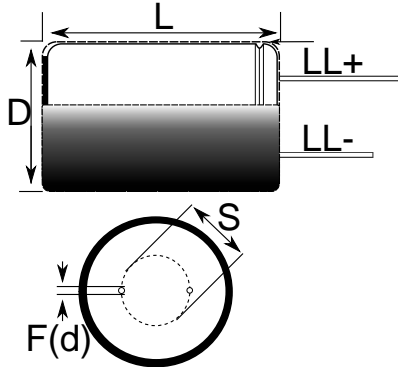


Capacitor, aluminum, 820 uF, +/-20% Tol, -40/+85C, 25 VDC@85C



Note: '()' correspond to the letters used in the product bulletin

Dimensions (mm)		
Symbol	Dimension	Tolerance
D	10	+/-0.5
L	25	+2.0/-0
S	5	+/-0.5
LLPos	20	MIN
LLNeg	15	MIN
F	0.6	NOM

Packaging Specifications	
Package Kind:	Bulk
Package Type:	Bag
Package Quantity:	2400

General Information	
Supplier:	KEMET
Application:	General Purpose
Part Type Description:	Single Ended, Aluminum Electrolytic
Lead Type:	Wire Leads
RoHS:	Yes

Specifications	
Capacitance:	820 uF
Voltage:	25 VDC
Tolerance:	+/-20%
Voltage:	32 VDC (Surge)
Life:	7000 Hrs
Rated Temperature:	85C
Temperature Range:	-40/+85C
Leakage Current:	205 uA
Leakage Condition:	uAmps (2min 20C)
Dissipation Factor:	1400%
Impedance Ratio -25C:	2.0
Impedance Ratio -40C:	3.0
Resistance/ESR:	0.052 Ohms (100kHz 25C)
Current/Ripple Current:	1650 mAmps (120Hz 105C)