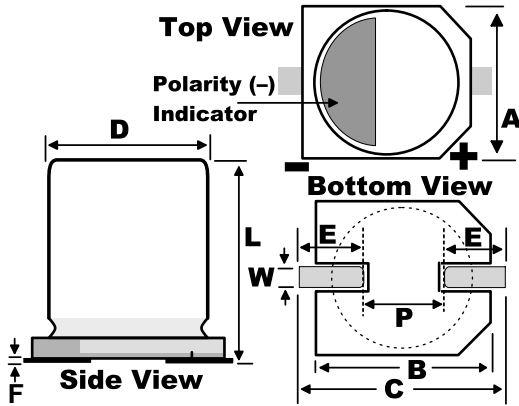


Capacitor, aluminum, 470 uF, +/-20% Tol, 10 VDC@105C



Dimensions (mm)		
Symbol	Dimension	Tolerance
D	10	+/-0.5
L	10.2	+/-0.3
A	10.3	+/-0.2
B	10.3	+/-0.2
C	12	MAX
W	0.9	+/-0.2
E	3.5	+/-0.2
P	4.6	+/-0.2
F	0.3	MAX

Packaging Specifications	
Package Kind:	T&R
Package Size:	380mm
Package Quantity:	500

General Information	
Supplier:	KEMET
Application:	105C Low Z
Hi Temp Solder:	Yes
Part Type Description:	Surface Mount Aluminum Electrolytic
Lead Type:	V-Chip
RoHS:	Yes

Specifications	
Capacitance:	470 uF
Voltage:	10 VDC
Tolerance:	+/-20%
Voltage:	13 VDC (Surge)
Rated Temperature:	105C
Temperature Range:	-40/+105C
Life:	5000 Hrs
Leakage Current:	47 uA
Leakage Condition:	uAmps (2min 20C)
Dissipation Factor:	19%
Impedance Ratio -25C:	2.0
Impedance Ratio -40C:	3.0
Resistance/ESR:	0.12 Ohms (100kHz)
Current/Ripple Current:	595 mAmps (120Hz)
Current/Ripple Current:	1190 mAmps (120Hz 85C)
Current/Ripple Current:	850 mAmps (100kHz)

Statements of suitability for certain applications are based on our knowledge of typical operating conditions for such applications, but are not intended to constitute - and we specifically disclaim - any warranty concerning suitability for a specific customer application or use. This Information is intended for use only by customers who have the requisite experience and capability to determine the correct products for their application. Any technical advice inferred from this Information or otherwise provided by us with reference to the use of our products is given gratis, and we assume no obligation or liability for the advice given or results obtained.