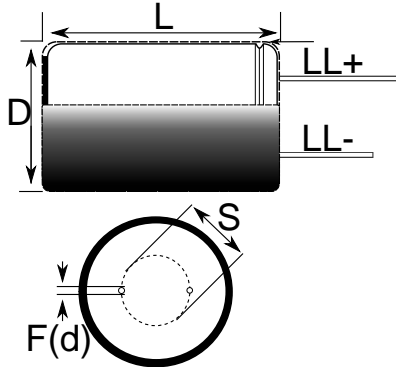


Capacitor, aluminum, 1500 uF, +/-20% Tol, -40/+105C, 16 VDC@105C



Note: '()' correspond to the letters used in the product bulletin

| Dimensions (mm) |           |           |
|-----------------|-----------|-----------|
| Symbol          | Dimension | Tolerance |
| D               | 13        | +/-0.5    |
| L               | 20        | +2        |
| S               | 5         | +/-0.5    |
| LLPos           | 20        | MIN       |
| LLNeg           | 15        | MIN       |
| F               | 0.6       | NOM       |

| Packaging Specifications |      |
|--------------------------|------|
| Package Kind:            | Bulk |
| Package Type:            | Bag  |
| Package Quantity:        | 2000 |

| General Information    |  |
|------------------------|--|
| Supplier:              | KEMET                                      |
| Application:           | 105C                                       |
| Part Type Description: | High CV Single Ended Aluminum Electrolytic |
| Lead Type:             | Wire Leads                                 |
| RoHS:                  | Yes  |

| Specifications          |                        |
|-------------------------|------------------------|
| Capacitance:            | 1500 uF                |
| Voltage:                | 16 VDC                 |
| Tolerance:              | +/-20%                 |
| Voltage:                | 20 VDC (Surge)         |
| Life:                   | 2000 Hrs               |
| Rated Temperature:      | 105C                   |
| Temperature Range:      | -40/+105C              |
| Leakage Current:        | 240 uA                 |
| Leakage Condition:      | uAmps (2min 20C)       |
| Dissipation Factor:     | 18%                    |
| Impedance Ratio -25C:   | 2.0                    |
| Impedance Ratio -40C:   | 4.0                    |
| Current/Ripple Current: | 860 mAmps (120Hz 105C) |