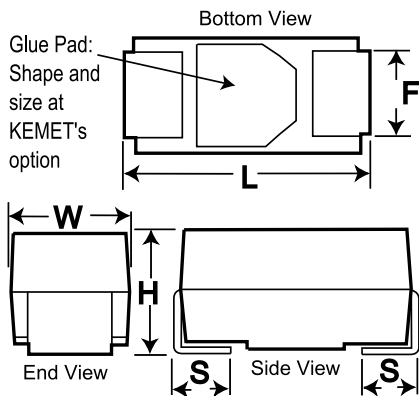


Capacitor, aluminum, 150 uF, +/-20% Tol, 6.3 VDC@125C



| Dimensions (mm) |           |           |
|-----------------|-----------|-----------|
| Symbol          | Dimension | Tolerance |
| L               | 7.3       | +/-0.3    |
| W               | 4.3       | +/-0.3    |
| H               | 4         | +/-0.3    |
| F               | 2.4       | +/-0.1    |
| S               | 1.3       | +/-0.3    |

Notes:  
 -X/7343-43

| General Information    |                                |
|------------------------|--------------------------------|
| Supplier:              | KEMET                          |
| Application:           | 125C Polymer                   |
| Part Type Description: | Surface Mount Polymer Aluminum |
| Termination:           | Tin                            |
| Footprint:             | 7343                           |
| RoHS:                  | Yes                            |

| Specifications          |                     |
|-------------------------|---------------------|
| Capacitance:            | 150 uF              |
| Voltage:                | 6.3 VDC             |
| Tolerance:              | +/-20%              |
| Rated Temperature:      | 125C                |
| Temperature Range:      | -55/+125C           |
| Leakage Current:        | 37.8 uA             |
| Leakage Condition:      | uAmps (5min 20C)    |
| Dissipation Factor:     | 6%                  |
| Resistance/ESR:         | 10 mOhms (100kHz)   |
| Current/Ripple Current: | 4700 mAmps (100kHz) |

| Packaging Specifications |             |
|--------------------------|-------------|
| Package Kind:            | T&R         |
| Package Size:            | 7 in/180 mm |
| Package Quantity:        | 500         |