



DATA SHEET	52001860
SKINDICHT® MINI	valid from: 27.11.2015

The SKINDICHT® MINI is a cable gland made of nickel-plated brass, which guarantees the safe mounting of cables with less diameter although its low installation height.

The use is predominantly in signal transmission, data transfer, measurement, control technology as well as in medical technology and communications engineering.



Components:

Gland body	Brass, nickel-plated
Pressure screw	Brass, nickel-plated
Pressure washer	Brass, nickel-plated
Sealing ring	CR (ozone- and UV-resistant)
O-ring	NBR (ozone- and UV-resistant)

Technical features:

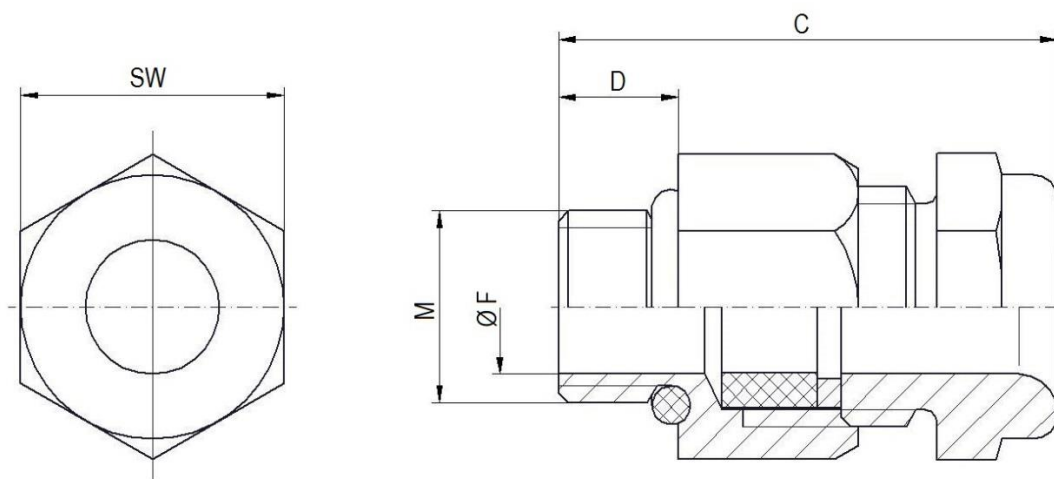
Connecting thread	M6x1 and M8x1
Protection class	IP68 - 2 bar, test acc. to EN 60529
Temperature range	-20 °C up to +100 °C

Norm references:



For more information please see our current catalogue.

DATA SHEET	52001860
SKINDICHT® MINI	valid from: 27.11.2015



M	SW [mm]	C [mm]		D [mm]	Ø F [mm] Clamping range	Article No.
		min.	max.			
M6x1	9	16,7	19,7	5	2 - 3	52001860
M8x1	11	17,2	20,5	5	3,5 – 5,5	52001880