



DATA SHEET	53806740
SKINTOP® INOX / INOX-R	valid from: 8.03.2016

Hygienically designed cable gland from high-grade stainless steel is suitable for an extremely wide variety of applications – including the food and pharmaceutical industries. The material and shape meet the high requirements of these sectors. The smooth design minimizes the accumulation of moisture, dust, contamination or food residue.

The cable gland also offers great benefits for other applications, where the ambient conditions are harsh, such as those sited offshore.

The compact design, the variable clamping range and the same wrench sizes simplify installation.

Components:

Gland body	Stainless steel – V4A (1.4404 / 316L)
Cap nut	Stainless steel – V4A (1.4404 / 316L)
Insert with lamellar cage	Polyamide
Sealing ring	Silicone
O-Ring	Silicone

Technical features:

Connecting thread	M12x1,5 up to M50x1,5 acc. to EN 60423
Protection class	Sizes M12, M16, M20: IP68 – 10 bar, test acc. to EN 60529 Sizes M25 up to M50: IP68 – 5 bar, test acc. to EN 60529 IP69 according to EN 60529
Temperature range	-40 °C up to +100 °C
Chemical resistance	ECOLAB certification
Design	INOX standard INOX-R with reducing sealing ring (for smaller cable diameters)

Other characteristics:

Functional safety
Optimal strain relief
Variable clamping range

Certificates:



Norm references:



DIN EN ISO 14 159

Safety of machinery - Hygiene requirements for the design of machinery

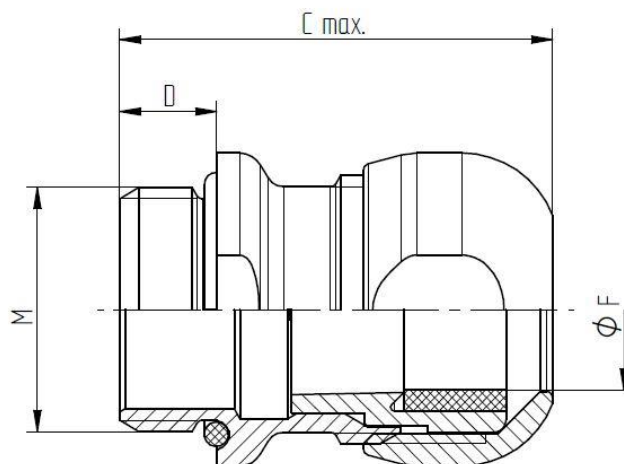
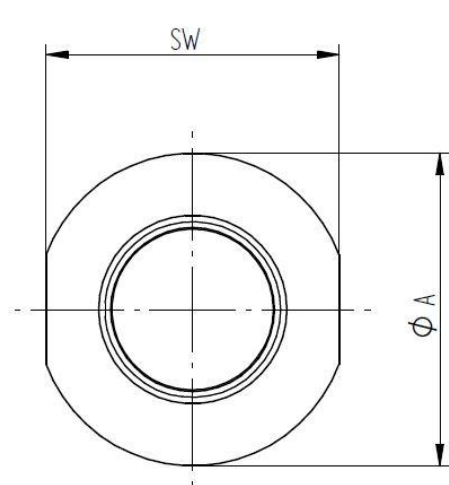
DIN EN 1672-2

Food processing machinery - Basic concepts -
Part 2: Hygiene requirements

For more information please see our current catalogue.



DATA SHEET	53806740
SKINTOP® INOX / INOX-R	valid from: 8.03.2016



SKINTOP® INOX

Article number	Article description	M	SW [mm]	Ø A [mm]	C max. [mm]	D [mm]	Ø F [mm] Clamping range	O-ring [mm]
53806739	SKINTOP INOX M12x1,5	M12x1,5	16	17,2	29,3	6,5	4,0-7,0	9x2
53806740	SKINTOP INOX M16x1,5	M16x1,5	20	21,4	32,4	7	6,0-10,0	13x2
53806741	SKINTOP INOX M20x1,5	M20x1,5	24	25,6	35,5	8	7,0-13,0	17x2
53806742	SKINTOP INOX M25x1,5	M25x1,5	29	30,8	39,2	8	9,0-17,0	22x2
53806743	SKINTOP INOX M32x1,5	M32x1,5	36	38,2	44,6	9	11,0-21,0	28x2
53806744	SKINTOP INOX M40x1,5	M40x1,5	45	48	51,2	9	19,0-28,0	36x2
53806745	SKINTOP INOX M50x1,5	M50x1,5	54	58	56,2	10	27,0-35,0	46x2

SKINTOP® INOX-R

Article number	Article description	M	SW [mm]	Ø A [mm]	C max. [mm]	D [mm]	Ø F [mm] Clamping range	O-ring [mm]
53806749	SKINTOP INOX-R M12x1,5	M12x1,5	16	17,2	29,3	6,5	3,0-5,0	9x2
53806750	SKINTOP INOX-R M16x1,5	M16x1,5	20	21,4	32,4	7	5,0-7,0	13x2
53806751	SKINTOP INOX-R M20x1,5	M20x1,5	24	25,6	35,5	8	6,0-10,0	17x2
53806752	SKINTOP INOX-R M25x1,5	M25x1,5	29	30,8	39,2	8	7,0-13,0	22x2
53806753	SKINTOP INOX-R M32x1,5	M32x1,5	36	38,2	44,6	9	8,0-15,0	28x2
53806754	SKINTOP INOX-R M40x1,5	M40x1,5	45	48	51,2	9	15,0-23,0	36x2
53806755	SKINTOP INOX-R M50x1,5	M50x1,5	54	58	56,2	10	22,0-29,0	46x2