

PLEASE CHECK WWW.MOLEX.COM FOR LATEST PART INFORMATION

Part Number: [0731000097](#)
Status: **Active**
Overview: [SMB RF Connectors](#)
Description: 50 Ohms, SMB Right-Angle PCB, Bulkhead Jack Receptacle, 50 Pieces Per Tray

Documents:

[Drawing \(PDF\)](#) [RoHS Certificate of Compliance \(PDF\)](#)
[Product Specification PS-73598-0099 \(PDF\)](#)

General

Product Family	RF/Coax Connectors
Series	73100
Comments	Feed-Through
Overview	SMB RF Connectors
Product Name	SMB
Style	PCB
UPC	800753686342
Wire/Cable Type	N/A

Physical

Gender	Jack
Keying to Mating Part	None
Net Weight	4.685/g
Orientation	Right Angle
PCB Mounting	Through Hole
PCB Thickness - Recommended	2.40mm
Packaging Type	Tray
Panel Mount	Yes
Panel Mount Method	Bulkhead
Reverse Polar	No

Electrical

Impedance	50#
-----------	-----

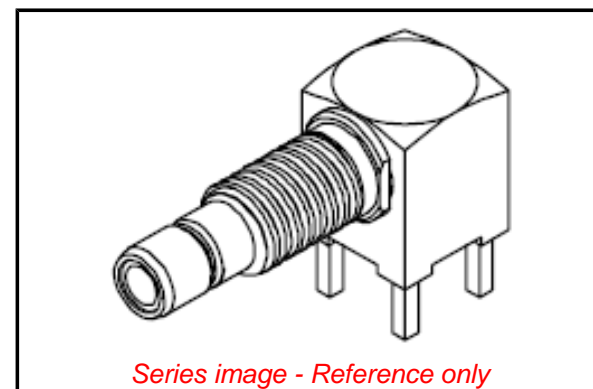
Solder Process Data

Duration at Max. Process Temperature (seconds)	010
Lead-freeProcess Capability	SMC&WAVE
Max. Cycles at Max. Process Temperature	002
Process Temperature max. C	260

Material Info

Reference - Drawing Numbers

Product Specification	PS-73598-0099
Sales Drawing	SD-73100-0097



Series image - Reference only

EU ELV

Not Relevant

EU RoHS

Compliant with Exemption 6(c)

REACH SVHC

Not Contained Per -ED/79/2015 (17 December 2015)

Halogen-Free

Status

Low-Halogen

Need more information on product environmental compliance?

Email productcompliance@molex.com
Please visit the [Contact Us](#) section for any non-product compliance questions.

China ROHS

50 Image

ELV

Not Relevant

Search Parts in this Series

[73100 Series](#)

PLEASE CHECK WWW.MOLEX.COM FOR LATEST PART INFORMATION