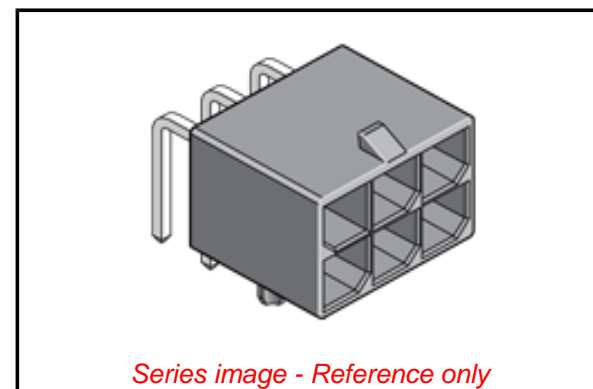


PLEASE CHECK WWW.MOLEX.COM FOR LATEST PART INFORMATION

Part Number: [1720640008](#)
Status: **Active**
Overview: Mega-Fit® Power Connectors
Description: 5.70mm Pitch, Mega-Fit® Right-Angle Header, 8 Circuits, 0.38µm Gold (Au) Plating, UL 94 V-0, Tray

Documents:

3D Model	Test Summary TS-76823-100 (PDF)
Drawing (PDF)	Test Summary TS-76825-001 (PDF)
Product Specification PS-76823-100 (PDF)	RoHS Certificate of Compliance (PDF)
Application Specification AS-76823-100 (PDF)	



Agency Certification

CSA	LR19980
UL	E29179

General

Product Family	PCB Headers
Series	172064
Application	Power, Wire-to-Board
Overview	Mega-Fit® Power Connectors
Product Name	Mega-Fit®
UPC	887191453798

Physical

Breakaway	No
Circuits (Loaded)	8
Circuits (maximum)	8
Color - Resin	Black
First Mate / Last Break	No
Flammability	94V-0
Glow-Wire Compliant	Yes
Keying to Mating Part	Yes
Lock to Mating Part	Yes
Mated Height	16.78mm
Material - Metal	Copper
Material - Plating Mating	Gold
Material - Plating Termination	Tin
Material - Resin	High Temperature Thermoplastic
Net Weight	5.356/g
Number of Rows	2
Orientation	Right Angle
PCB Locator	Yes
PCB Retention	Yes
PCB Thickness - Recommended	1.57mm, 2.36mm
Packaging Type	Tray
Pitch - Mating Interface	5.70mm
Pitch - Termination Interface	5.70mm
Plating min - Mating	0.381µm
Plating min - Termination	1.270µm
Polarized to Mating Part	Yes
Polarized to PCB	Yes
Shrouded	Yes
Surface Mount Compatible (SMC)	Yes
Temperature Range - Operating	-40°C to +120°C
Termination Interface: Style	Through Hole
Unmated Height	14.53mm

EU ELV

Not Relevant

EU RoHS

Compliant

REACH SVHC

Not Contained Per
-ED/79/2015 (17
December 2015)

Halogen-Free

Status

Low-Halogen

Need more information on product environmental compliance?

Email productcompliance@molex.com
Please visit the [Contact Us](#) section for any non-product compliance questions.

China ROHS

ELV

Green Image

Not Relevant

Search Parts in this Series

[172064](#) Series

Mates With

[171692](#) , [170001](#) Mega-Fit® Receptacle Housings

Electrical

Current - Maximum per Contact	23.0A
Voltage - Maximum	600V

Solder Process Data

Duration at Max. Process Temperature (seconds)	030
Lead-free Process Capability	SMC&WAVE
Max. Cycles at Max. Process Temperature	001
Process Temperature max. C	260

Material Info**Reference - Drawing Numbers**

Application Specification	AS-76823-100
Product Specification	PS-76823-100
Sales Drawing	SD-76825-0100
Test Summary	TS-76823-100, TS-76825-001

This document was generated on 03/07/2016

PLEASE CHECK WWW.MOLEX.COM FOR LATEST PART INFORMATION