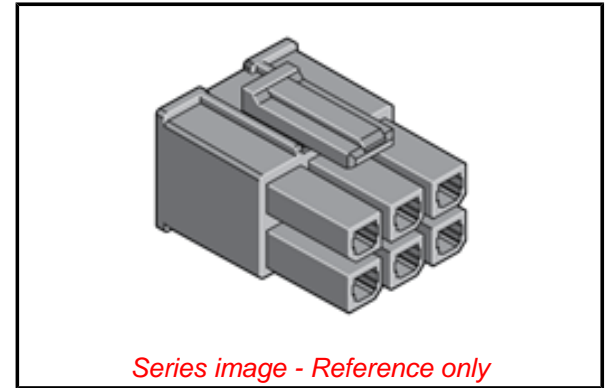


PLEASE CHECK WWW.MOLEX.COM FOR LATEST PART INFORMATION

Part Number: [1700010112](#)
Status: **Active**
Overview: Mega-Fit® Power Connectors
Description: Mega-Fit® Receptacle Housing, Dual Row, 12 Circuit, Glow-Wire Compliant, Bag

Documents:

3D Model	Test Summary TS-170001-001 (PDF)
Drawing (PDF)	Test Summary TS-76823-100 (PDF)
Product Specification PS-76823-100 (PDF)	RoHS Certificate of Compliance (PDF)
Application Specification AS-76823-100 (PDF)	



Agency Certification

CSA	LR19980
UL	E29179

General

Product Family	Crimp Housings
Series	170001
Application	Power, Wire-to-Board, Wire-to-Wire
Overview	Mega-Fit® Power Connectors
Product Name	Mega-Fit®
UPC	887191246833

Physical

Circuits (maximum)	12
Circuits Detail	12
Color - Resin	Black
Flammability	94V-2
Gender	Male
Glow-Wire Compliant	Yes
Lock to Mating Part	Yes
Material - Resin	Nylon
Net Weight	5.600/g
Number of Rows	2
Packaging Type	Bag
Panel Mount	No
Pitch - Mating Interface	5.70mm
Pitch - Termination Interface	5.70mm
Polarized to Mating Part	Yes
Temperature Range - Operating	-40°C to +120°C

Electrical

Current - Maximum per Contact	23.0A
-------------------------------	-------

Solder Process Data

Lead-free Process Capability	N/A
------------------------------	-----

Material Info

Reference - Drawing Numbers

Application Specification	AS-76823-100
Product Specification	PS-76823-100
Sales Drawing	SD-170001-0100
Test Summary	TS-170001-001, TS-76823-100

EU ELV

Not Relevant

EU RoHS

Compliant

REACH SVHC

Not Contained Per
-ED/79/2015 (17
December 2015)

Halogen-Free

Status

Not Low-Halogen

**Need more information on product
environmental compliance?**

Email productcompliance@molex.com
Please visit the [Contact Us](#) section for any
non-product compliance questions.

China ROHS

ELV

Green Image

Not Relevant

Search Parts in this Series

[170001](#) Series

Mates With

Mega-Fit® Header [76825](#) , [76829](#) , [172064](#) ,
[172065](#)

Use With

Mega-Fit® Crimp Terminals [172063](#) , Mega-
Fit® Crimp Terminals [76823](#)

PLEASE CHECK WWW.MOLEX.COM FOR LATEST PART INFORMATION