


CAMBLOCK

5mm Pitch Standard Profile Terminal Block

- 2-12 pole interlocking
- Moulded in black
UL94V-0 PA Flame retardant PA66
- Wire protector terminals
- 0.3-2mm² (22-14 AWG)
- Guided pin alignment
-  approved

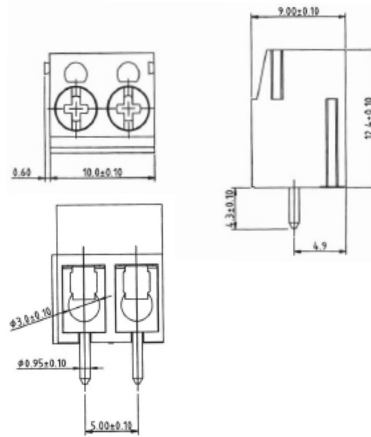
CTB1202/BK




TYPE NO.	POLES	LENGTH
CTB1202/2BK	2	10mm
CTB1202/3BK	3	15mm
CTB1202/4BK	4	20mm
CTB1202/5BK	5	25mm
CTB1202/6BK	6	30mm
CTB1202/7BK	7	35mm
CTB1202/8BK	8	40mm
CTB1202/9BK	9	45mm
CTB1202/10BK	10	50mm
CTB1202/11BK	11	55mm
CTB1202/12BK	12	60mm

SPECIFICATION

Rating	16A 250V
Insulation resistance	5000MΩ/1000V
Withstand Voltage	AC1500V/1min
Contact Resistance	20mΩ
Working Temperature	-33°C to +120°C
Mouldings	UL94-V0 flame retardant PA66
Wire Protector	Stainless steel
Screw/Torque	M3 Steel, Nickel Plated 0.4Nm
Recommended PCB hole size	ø1.2mm-1.4mm



5mm Pitch 45° Rising Clamp Terminal

- 2-12 pole interlocking
- Moulded in black
UL94-V0 Flame retardant PA66
- Professional rising clamp terminal
- 0.2-3.3mm² (24-12 AWG)
-  approved

CTB3202



TYPE NO.	POLES	LENGTH
CTB3202/2BK	2	10mm
CTB3202/3BK	3	15mm
CTB3202/4BK	4	20mm
CTB3202/5BK	5	25mm
CTB3202/6BK	6	30mm
CTB3202/7BK	7	35mm
CTB3202/8BK	8	40mm
CTB3202/9BK	9	45mm
CTB3202/10BK	10	50mm
CTB3202/11BK	11	55mm
CTB3202/12BK	12	60mm

SPECIFICATION

Rating	15A 300V
Insulation resistance	5000MΩ/1000V
Withstand Voltage	AC2000V/1min
Contact Resistance	20mΩ
Working Temperature	-33°C to +120°C
Mouldings	UL94-V0 flame retardant PA66
Screw/Torque	M2.5 Steel, Nickel Plated 0.4Nm
Recommended PCB hole size	ø1.2mm-1.4mm

