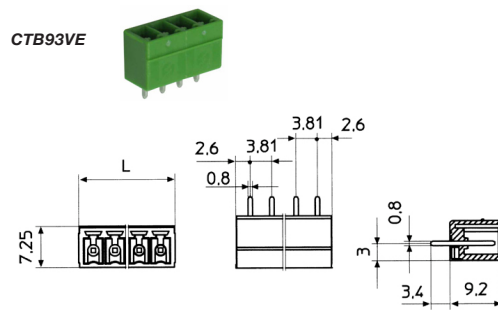


PCB TERMINAL BLOCKS

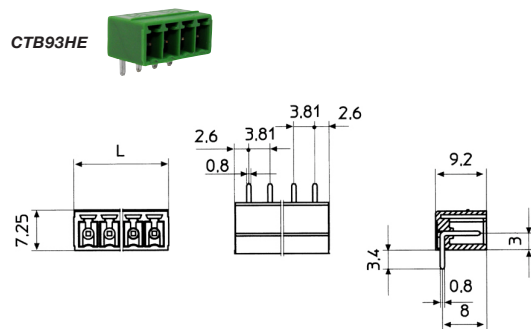
PCB mounting male vertical (closed ended)

TYPE NO.	POLES	LENGTH	TYPE NO.	POLES	LENGTH
CTB93VE/2	2	9mm	CTB93VE/12	12	47.1mm
CTB93VE/3	3	12.8mm	CTB93VE/13	13	50.9mm
CTB93VE/4	4	16.6mm	CTB93VE/14	14	54.7mm
CTB93VE/5	5	20.4mm	CTB93VE/15	15	58.5mm
CTB93VE/6	6	24.3mm	CTB93VE/16	16	62.4mm
CTB93VE/7	7	28.1mm	CTB93VE/17	17	66.2mm
CTB93VE/8	8	31.9mm	CTB93VE/18	18	70mm
CTB93VE/9	9	35.4mm	CTB93VE/19	19	73.8mm
CTB93VE/10	10	39.5mm	CTB93VE/20	20	77.6mm
CTB93VE/11	11	43.3mm			



PCB mounting male horizontal (closed ended)

TYPE NO.	POLES	LENGTH	TYPE NO.	POLES	LENGTH
CTB93HE/2	2	9mm	CTB93HE/12	12	47.1mm
CTB93HE/3	3	12.8mm	CTB93HE/13	13	50.9mm
CTB93HE/4	4	16.6mm	CTB93HE/14	14	54.7mm
CTB93HE/5	5	20.4mm	CTB93HE/15	15	58.5mm
CTB93HE/6	6	24.3mm	CTB93HE/16	16	62.4mm
CTB93HE/7	7	28.1mm	CTB93HE/17	17	66.2mm
CTB93HE/8	8	31.9mm	CTB93HE/18	18	70mm
CTB93HE/9	9	35.4mm	CTB93HE/19	19	73.8mm
CTB93HE/10	10	39.5mm	CTB93HE/20	20	77.6mm
CTB93HE/11	11	43.3mm			



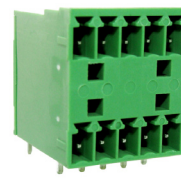
PCB Mounting Male Double Decker

- Space saving
- Double Deck
- 4-24 pole solid block
- Closed ends
- Coding keys available
- Moulded from green UL94 - V0 flame retardant PA

CTBDD93VE



CTBDD93HE

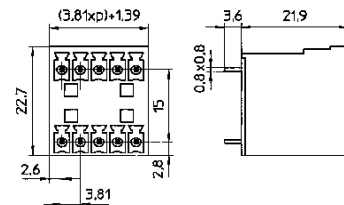


Vertical

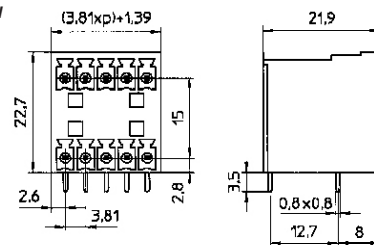
TYPE NO.	POLES	LENGTH	TYPE NO.	POLES	LENGTH
CTBDD93VE/2	2	9mm	CTBDD93HE/2	2	9mm
CTBDD93VE/3	3	12.8mm	CTBDD93HE/3	3	12.8mm
CTBDD93VE/4	4	16.6mm	CTBDD93HE/4	4	16.6mm
CTBDD93VE/5	5	20.4mm	CTBDD93HE/5	5	20.4mm
CTBDD93VE/6	6	24.30mm	CTBDD93HE/6	6	24.30mm
CTBDD93VE/7	7	28.1mm	CTBDD93HE/7	7	28.1mm
CTBDD93VE/8	8	31.9mm	CTBDD93HE/8	8	31.9mm
CTBDD93VE/9	9	35.7mm	CTBDD93HE/9	9	35.7mm
CTBDD93VE/10	10	39.50mm	CTBDD93HE/10	10	39.50mm
CTBDD93VE/11	11	43.3mm	CTBDD93HE/11	11	43.3mm
CTBDD93VE/12	12	47.1mm	CTBDD93HE/12	12	47.1mm

Horizontal

Vertical



Horizontal



+44 (0)1638 716101
info@camdenboss.com
www.camdenboss.com

We operate a constant improvement policy, our products are subject to change without notice.

Ver 1.0 Iss 1

CAMDENBOSS
ELECTRONICS & ENCLOSURES

- PCB TERMINAL BLOCKS
- INTER-CONNECTION
- FUSES & FUSE-HOLDERS
- LEDs & INDICATORS
- MINIATURE SWITCHES
- LIMIT & SAFETY SWITCHES
- CONTROL PRODUCTS
- INTERFACE MODULES & SUPPORTS
- RELAY BASES
- ENCLOSURES
- BATTERIES
- TRANSFORMERS