

PLEASE CHECK WWW.MOLEX.COM FOR LATEST PART INFORMATION

Part Number: **0008700058**
Status: **Active**
Overview: SPOX™ BMI Connector System
Description: SPOX™ Crimp Terminal 5103, 22-28 AWG, Reel, Phosphor Bronze (CuSn), Chain Type

Documents:

3D Model	Product Specification PS-5103-003 (PDF)
Drawing (PDF)	Product Specification PS-5103-004 (PDF)
Product Specification PS-5045-001 (PDF)	Packaging Specification SPK-5103-001 (PDF)
Product Specification PS-5045-002 (PDF)	RoHS Certificate of Compliance (PDF)
Product Specification PS-5102-004 (PDF)	

General

Product Family	Crimp Terminals
Series	5103
Application	Signal
Crimp Quality Equipment	Yes
Overview	SPOX™ BMI Connector System
Product Name	SPOX™
UPC	800753534797

Physical

Durability (mating cycles max)	30
Gender	Female
Material - Metal	Phosphor Bronze
Material - Plating Mating	Tin
Material - Plating Termination	Tin
Net Weight	60.000/mg
Packaging Type	Reel
Plating min - Mating	0.889µm
Plating min - Termination	0.914µm
Termination Interface: Style	Crimp or Compression
Wire Insulation Diameter	1.90mm max.
Wire Size AWG	22, 24, 26, 28
Wire Size mm²	N/A

Electrical

Current - Maximum per Contact	3.0A
Voltage - Maximum	250V

Solder Process Data

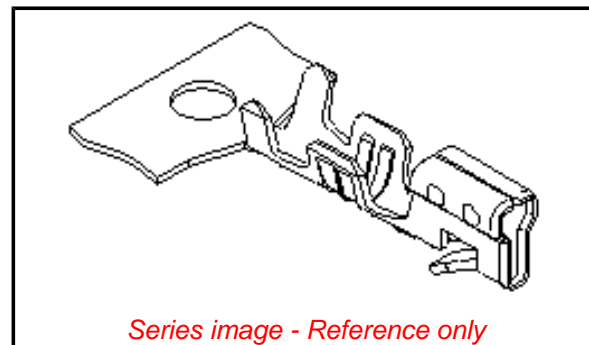
Lead-free Process Capability	N/A
------------------------------	-----

Material Info

Old Part Number	5103PBT
-----------------	---------

Reference - Drawing Numbers

Crimp Specification	CS-5103, CS-5103A
Packaging Specification	SPK-5103-001
Product Specification	PS-5045-001, PS-5045-002, PS-5102-004, PS-5103-003, PS-5103-004, RPS-35155-101, RPS-35155-102
Sales Drawing	SD-5103-002



EU ELV

Not Relevant

EU RoHS

Compliant

REACH SVHC

Not Contained Per
-ED/79/2015 (17
December 2015)

Halogen-Free

Status

Low-Halogen

Need more information on product environmental compliance?

Email productcompliance@molex.com
Please visit the [Contact Us](#) section for any non-product compliance questions.

China ROHS
ELV

China RoHS

Green Image
Not Relevant

Search Parts in this Series

[5103 Series](#)

Use With

[5102 Crimp Housing](#), [5207 Mini SPOX Housing](#)

Application Tooling | FAQ

Tooling specifications and manuals are found by selecting the products below. Crimp Height Specifications are then contained in the Application Tooling Specification document.

Global

Description	Product #
FineAdjust™	0639004600
Applicator for Wire-to-Board and Wire-to-Wire Terminal, 22-28 AWG Wire	
T2 Terminator	0639104600
Tooling Die	

Hand Crimp Tool for [0638115200](#)
Crimp Terminals
Manual Extraction [0638131500](#)
Tool

This document was generated on 03/30/2016

PLEASE CHECK WWW.MOLEX.COM FOR LATEST PART INFORMATION