

PLEASE CHECK WWW.MOLEX.COM FOR LATEST PART INFORMATION

Part Number: [5016471000](#)
Status: **Active**
Overview: iGrid™ Wire-to-Board Dual-Row System
Description: 2.00mm Pitch iGrid™ Wire-to-Board Crimp Terminal, Female, 22-26 AWG, Reel

Documents:

[3D Model](#) [Product Specification PS-501646-001 \(PDF\)](#)
[Drawing \(PDF\)](#) [RoHS Certificate of Compliance \(PDF\)](#)

General

Product Family Crimp Terminals
 Series [501647](#)
 Application Signal
 Crimp Quality Equipment Yes
 Overview [iGrid™ Wire-to-Board Dual-Row System](#)
 Packaging Alternative [501647-1100 \(Loose\)](#)
 Product Name iGrid™
 UPC 822350087308

Physical

Durability (mating cycles max) 30
 Gender Female
 Material - Metal Copper Alloy
 Material - Plating Mating Tin
 Net Weight 76.000/mg
 Packaging Type Reel
 Termination Interface: Style Crimp or Compression
 Wire Insulation Diameter 0.95-1.50mm
 Wire Size AWG 22, 24, 26
 Wire Size mm² 0.124-0.34

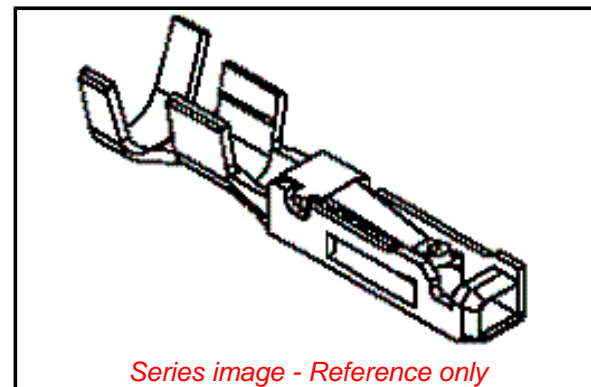
Electrical

Current - Maximum per Contact 2.0A
 Voltage - Maximum 250V AC (RMS)/DC

Material Info

Reference - Drawing Numbers

Crimp Specification [CS-501647-001](#)
 Product Specification [PS-501646-001](#), [RPS-501646-001](#), [RPS-501646-002](#),
[RPS-501646-003](#), [RPS-501646-004](#), [RPS-501646-005](#),
[RPS-501646-006](#), [RPS-501646-007](#), [RPS-501646-008](#),
[RPS-501646-011](#), [RPS-501646-012](#), [RPS-501646-013](#),
[RPS-501646-015](#), [RPS-501646-017](#), [RPS-501646-018](#)
[SD-501647-001](#)
 Sales Drawing



EU ELV

Not Relevant

EU RoHS

Compliant

REACH SVHC

Not Contained Per
 -ED/79/2015 (17
 December 2015)

Halogen-Free

Status

Low-Halogen

Need more information on product environmental compliance?

Email productcompliance@molex.com
 Please visit the [Contact Us](#) section for any non-product compliance questions.

China ROHS
 ELV

Green Image
 Not Relevant

Search Parts in this Series

[501647 Series](#)

Mates With

[501645 Vertical Header](#) . [501676 Right Angle Header](#)

Use With

[501646 Receptacle Housing](#)

Application Tooling | FAQ

Tooling specifications and manuals are found by selecting the products below. Crimp Height Specifications are then contained in the Application Tooling Specification document.

Global

Description

FineAdjust™
 Applicator

Product #

[0638687000](#)

Hand Crimp Tool for 0638192300
2.00mm Pitch Wire-
to-Board Terminals
Manual Extraction 0638131500
Tool
T2 Terminator 0638587000
Tooling Die

Japan

Description **Product #**

Applicator for M211A 5780213000
Bench Press, 22-26
AWG Wire
Side-Feed Applicator 5780213200
for Fully-Auto
Machine, 22-26
AWG Wire

This document was generated on 03/29/2016

PLEASE CHECK WWW.MOLEX.COM FOR LATEST PART INFORMATION