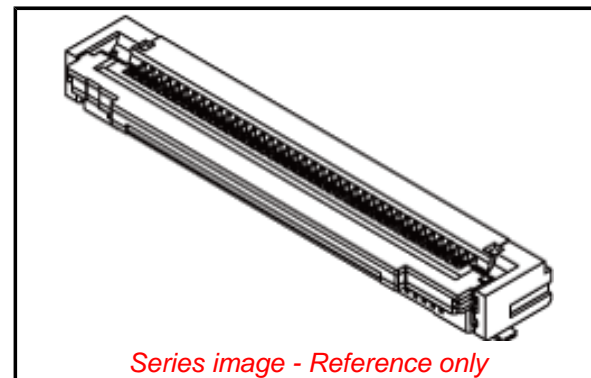


PLEASE CHECK WWW.MOLEX.COM FOR LATEST PART INFORMATION

Part Number: [5027904091](#)
Status: **Active**
Overview: FFC-FPC (SMT)
Description: 0.50mm Pitch Easy-On™ Front Flip Type FFC/FPC Connector, Surface Mount, ZIF, Double Bottom Contact, 2.50mm Height, Accepts FFC/FPC with Ear-tabs, 40 Circuits

Documents:

3D Model	Product Specification PS-502790-002 (PDF)
Drawing (PDF)	Packaging Specification SPK-502790-001 (PDF)
Product Specification PS-502790-001 (PDF)	RoHS Certificate of Compliance (PDF)



General

Product Family	FFC/FPC Connectors
Series	502790
Overview	FFC-FPC (SMT)
Product Name	Easy-On™
UPC	883906279875

Physical

Circuits (Loaded)	40
Color - Resin	Beige
Contact Position	Bottom
Entry Angle	90° Angle
Mated Height	2.50mm
Material - Metal	Phosphor Bronze
Material - Plating Mating	Gold
Material - Plating Termination	Gold
Net Weight	371.161/mg
Number of Rows	1
Orientation	Right Angle
PCB Retention	Yes
Packaging Type	Embossed Tape on Reel
Pitch - Mating Interface	0.50mm
Polarized to PCB	Yes
Stackable	No
Temperature Range - Operating	-40°C to +105°C
Termination Interface: Style	Surface Mount
Wire/Cable Type	FPC only

Electrical

Current - Maximum per Contact	0.5A
Voltage - Maximum	50V

Material Info

Reference - Drawing Numbers

Packaging Specification	SPK-502790-001
Product Specification	PS-502790-001, PS-502790-002, RPS-502790-001, RPS-502790-005, RPS-502790-006, RPS-502790-007, RPS-502790-008, RPS-502790-010, RPS-502790-011, RPS-502790-013, RPS-502790-021, RPS-502790-022, RPS-502790-024, RPS-502790-025
Sales Drawing	SD-502790-001, SD-502790-002

EU ELV

Not Relevant

EU RoHS

Compliant

REACH SVHC

Not Contained Per
-ED/79/2015 (17
December 2015)

Halogen-Free

Status

Not Low-Halogen

Need more information on product environmental compliance?

Email productcompliance@molex.com
Please visit the [Contact Us](#) section for any non-product compliance questions.

China ROHS
ELV

China RoHS
Green Image
Not Relevant

Search Parts in this Series
[502790 Series](#)