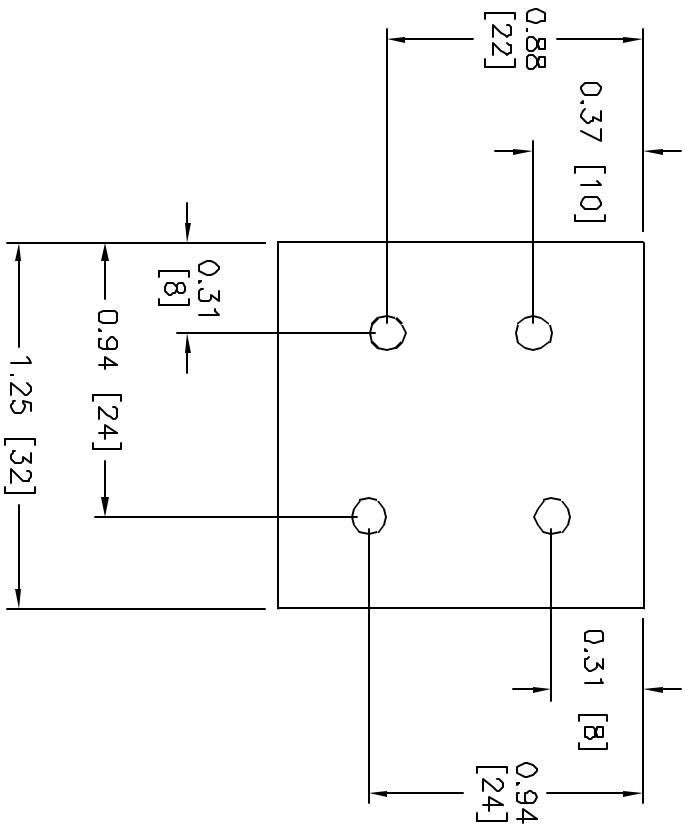
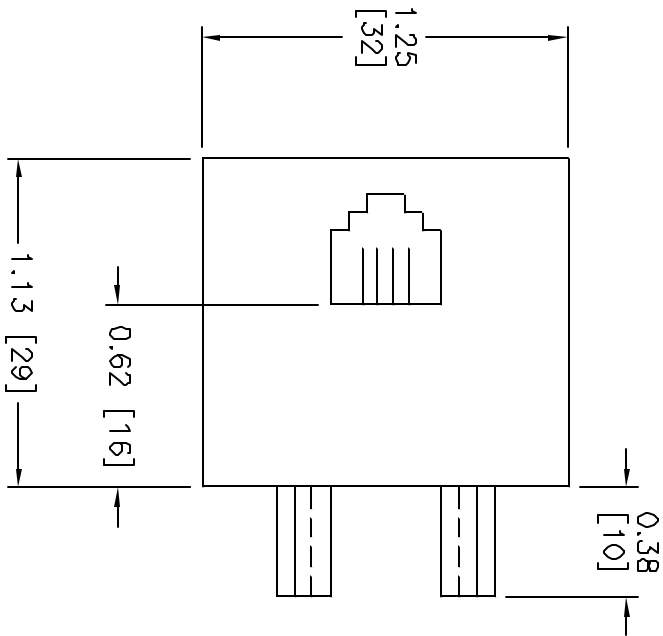


ALL RIGHTS RESERVED. NO PORTION OF THIS PUBLICATION, WHETHER IN WHOLE OR IN PART CAN BE REPRODUCED WITHOUT THE EXPRESS WRITTEN CONSENT OF SPC TECHNOLOGY.

REVISONS		DOC. NO.	SPC--FD05	Effective:	12/21/98	DCP No.	880
DCP #	REV	DESCRIPTION	DRAWN	DATE	CHECKD	DATE	APPRVD
1147	A	RELEASED	HYO	4/11/01	JJC	5/19/01	DJC



PIN-OUT

- SPECIFICATIONS:**
- CONNECTOR "A": RJ-11
6 POSITION / 4 CONDUCTOR
 - CONNECTOR "B": STANDARD PLUG
4 PRONG

- YELLOW --- YELLOW
 GREEN --- GREEN
 RED --- RED
 BLACK --- BLACK

DISCLAIMER
 ALL STATEMENTS AND TECHNICAL INFORMATION CONTAINED HEREIN ARE BASED UPON INFORMATION AND/OR TESTS WE BELIEVE TO BE ACCURATE AND RELIABLE. SINCE CONDITIONS OF USE ARE BEYOND OUR CONTROL, THE USER SHALL DETERMINE THE SUITABILITY OF THE PRODUCT FOR THE INTENDED USE AND ASSUME ALL RISK AND LIABILITY WHATSOEVER IN CONNECTION THEREWITH.



SPC TECHNOLOGY

UNLESS OTHERWISE

SPECIFIED,

DIMENSIONS ARE

FOR REFERENCE

PURPOSES ONLY.

DRAWN BY:

HISHAM ODISH

DATE:

4/11/01

CHECKED BY:

JOHN COLE

DATE:

5/18/01

APPROVED BY:

DANIEL CAREY

DATE:

5/18/01

DRAWING TITLE:

STANDARD TO MODULAR ADAPTER

SIZE

A

DWG. NO.

8588-0204

ELECTRONIC FILE

52N9494.DWG

REV

A

SCALE:

NTS

U.O.M.: INCHES [mm]

SHEET:

1 OF 1