

PLEASE CHECK WWW.MOLEX.COM FOR LATEST PART INFORMATION

Part Number: **5025790000**
Status: **Active**
Overview: CLIK-Mate™ Wire-to-Board Connectors
Description: CLIK-Mate™ 1.50mm Pitch Wire-to-Board Crimp Terminal, Tin Plating, 24-28 AWG, Reel

Documents:

3D Model	Product Specification PS-503395-001 (PDF)
Drawing (PDF)	Application Specification 5031490000 (PDF)
Product Specification 5025840000 (PDF)	Application Specification AS-502578-001 (PDF)
Product Specification 5025840001 (PDF)	Application Specification AS-502578-002 (PDF)
Product Specification 5031480000 (PDF)	Application Specification AS-503149-001 (PDF)
Product Specification 5031540000 (PDF)	Application Specification AS-503395-001 (PDF)
Product Specification 5031540000RPS (PDF)	Packaging Specification SPK-502579-001 (PDF)
Product Specification PS-502584-001 (PDF)	RoHS Certificate of Compliance (PDF)
Product Specification PS-503159-001 (PDF)	

General

Product Family	Crimp Terminals
Series	502579
Application	Signal
Crimp Quality Equipment	Yes
Overview	<u>CLIK-Mate™ Wire-to-Board Connectors</u>
Product Name	CLIK-Mate™
UPC	800756642857

Physical

Durability (mating cycles max)	30
Gender	Plug
Material - Metal	Copper Alloy
Material - Plating Mating	Tin
Material - Plating Termination	Tin
Net Weight	22.500/mg
Packaging Type	Reel
Plating min - Mating	0.406µm
Plating min - Termination	0.406µm
Termination Interface: Style	Crimp or Compression
Wire Insulation Diameter	0.78-1.28mm
Wire Size AWG	24, 26, 28
Wire Size mm ²	0.08-0.20

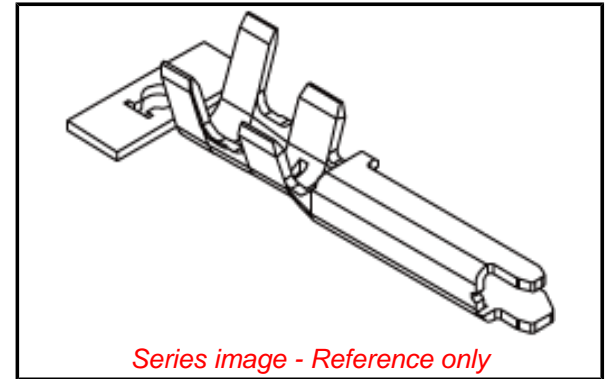
Electrical

Current - Maximum per Contact	2.0A
Voltage - Maximum	100V AC (RMS)/DC

Material Info

Reference - Drawing Numbers

Application Specification	5031490000, AS-502578-001, AS-502578-002, AS-503149-001, AS-503395-001
Crimp Specification	CS-502579-001
Packaging Specification	SPK-502579-001
Product Specification	5025840000, 5025840001, 5031480000, 5031540000, 5031540000RPS, PS-502584-001, PS-503159-001, PS-503395-001, RPS-502578-001, RPS-502584-002, RPS-502584-003, RPS-502584-004, RPS-502584-005, RPS-502584-006, RPS-502584-007, RPS-502584-008, RPS-502584-009, RPS-502584-010, RPS-502584-011,



EU ELV

Not Relevant

EU RoHS

Compliant

REACH SVHC

Not Contained Per
-ED/79/2015 (17
December 2015)

Halogen-Free

Status

Low-Halogen

Need more information on product environmental compliance?

Email productcompliance@molex.com
Please visit the [Contact Us](#) section for any non-product compliance questions.

China ROHS
ELV

Green Image
Not Relevant

Search Parts in this Series

[502579 Series](#)

Use With

[502578 CLIK-Mate™ Housing](#)

Application Tooling | [FAQ](#)

Tooling specifications and manuals are found by selecting the products below. Crimp Height Specifications are then contained in the Application Tooling Specification document.

Global

Description	Product #
FineAdjust™ Applicator for 1.50mm Pitch Wire-to-Board Crimp Terminals	0639025000
Hand Crimp Tool for Wire-to-Board	0638194600

Sales Drawing

RPS-502584-012, RPS-502584-013, RPS-502584-014,
RPS-502584-018, RPS-502585-002, RPS-502585-003,
RPS-502585-004, RPS-503148-002, RPS-503148-005,
RPS-503154-006, RPS-503154-009, RPS-503154-010,
RPS-503154-011, RPS-503159-001, RPS-503159-003,
RPS-503159-004, RPS-503159-005, RPS-503175-001,
RPS-503175-002, RPS-503175-003, RPS-503339-001,
RPS-503339-002, RPS-503395-002
SD-502579-001, SD-502579-002

Terminal, 24-28
AWG Wire
T2 Terminator for 0639125000
1.50mm Pitch Wire-
to-Board Terminal
Extractor Tool for 0638133700
1.50mm Pitch Wire-
to-Board Crimp
Terminal

This document was generated on 03/29/2016

PLEASE CHECK WWW.MOLEX.COM FOR LATEST PART INFORMATION