

PLEASE CHECK WWW.MOLEX.COM FOR LATEST PART INFORMATION

Part Number: [0522070760](#)
Status: **Active**
Overview: FFC-FPC (SMT)
Description: Easy-On™ Type FFC/FPC Connector, Right-Angle, Surface Mount, ZIF, Top Contact Style Receptacle, 7 Circuits, Gold (Au) Contact Plating, High Barrier Packaging

Documents:

3D Model	Product Specification PS-52207-048 (PDF)
Drawing (PDF)	Packaging Specification SPK-52207-002 (PDF)
Product Specification 522070001 (PDF)	RoHS Certificate of Compliance (PDF)

Agency Certification

CSA	LR19980
UL	E29179

General

Product Family	FFC/FPC Connectors
Series	52207
Overview	FFC-FPC (SMT)
Product Name	Easy-On™
UPC	822350030786

Physical

Circuits (Loaded)	7
Color - Resin	Natural
Contact Position	Top
Durability (mating cycles max)	30
Entry Angle	90° Angle
Flammability	94V-0
Mated Height	2.70mm
Material - Metal	Phosphor Bronze
Material - Plating Mating	Gold
Material - Plating Termination	Tin
Material - Resin	Nylon
Net Weight	340.414/mg
Number of Rows	1
Orientation	Right Angle
PC Tail Length	2.00mm
PCB Locator	No
PCB Retention	Yes
Packaging Type	Embossed Tape on Reel
Pitch - Mating Interface	1.00mm
Pitch - Termination Interface	1.00mm
Polarized to PCB	Yes
Stackable	No
Temperature Range - Operating	-30°C to +85°C
Termination Interface: Style	Surface Mount
Wire/Cable Type	FFC/FPC

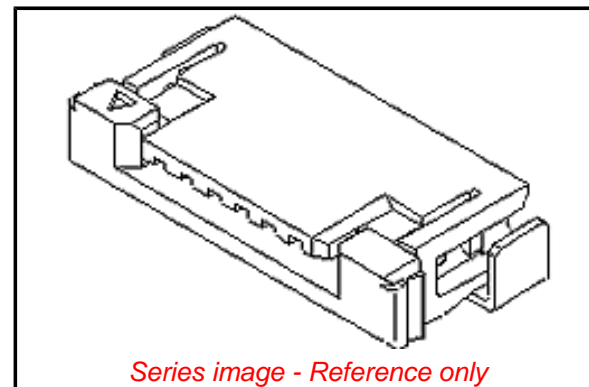
Electrical

Current - Maximum per Contact	1.0A
Voltage - Maximum	125V

Material Info

Reference - Drawing Numbers

Packaging Specification	SPK-52207-002
-------------------------	---------------



Series image - Reference only

EU ELV

Not Relevant

EU RoHS

Compliant

REACH SVHC

Not Contained Per
-ED/79/2015 (17
December 2015)

Halogen-Free

Status

Not Low-Halogen

Need more information on product environmental compliance?

Email productcompliance@molex.com
Please visit the [Contact Us](#) section for any non-product compliance questions.

China ROHS

ELV

Green Image

Not Relevant

Search Parts in this Series

[52207 Series](#)

Mates With

Molex Premo-Flex FFC. Be sure to match like plating

Product Specification

522070001, PS-52207-048, RPS-52207-070,
RPS-52207-073, RPS-52207-075, RPS-52207-078,
RPS-52207-084, RPS-52207-090, RPS-52207-092,
RPS-52207-094, RPS-52207-099, RPS-52207-101,
RPS-52207-106, RPS-52207-118, RPS-52207-121
SD-52207-064, SD-52207-065

Sales Drawing

This document was generated on 04/01/2016

PLEASE CHECK WWW.MOLEX.COM FOR LATEST PART INFORMATION