



|                                    |                            |
|------------------------------------|----------------------------|
| <b>DATA SHEET</b>                  | 52004180                   |
| <b>SKINDICHT® RWV / RWV O. E+D</b> | valid from :<br>27.11.2015 |

The SKINDICHT® RWV a cast zinc cable gland with 90° elbow. The locknut enables the angle gland to be secured in any position.



**Components:**

|                      |                      |
|----------------------|----------------------|
| Angular housing      | Zinc die-casting     |
| Pressure washer      | Steel, zinc-plated   |
| Pressure screw       | Brass, nickel-plated |
| Locknut              | Brass, nickel-plated |
| Incised sealing ring | CR                   |
| O-ring               | NBR                  |

**Technical features:**

|                   |   |
|-------------------|---|
| Connecting thread | PG7 up to PG29 acc. to DIN 40430                        |
| Protection class  | IP55 acc. to EN 60529                                   |
| Temperature range | -20 °C up to +80 °C<br>-20 °C up to +100 °C without E+D |

**Norm references:**

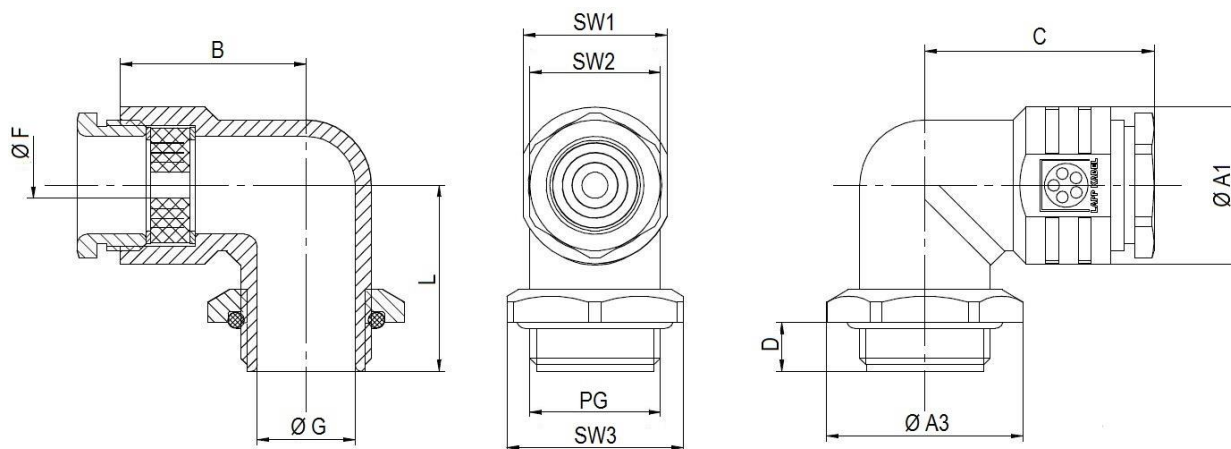


For more information please see our current catalogue.

|                                    |                          |             |
|------------------------------------|--------------------------|-------------|
| elaborated by:<br>PDP: T. Dvoulety | Document: DB52004180_1EN | page 1 of 2 |
|------------------------------------|--------------------------|-------------|

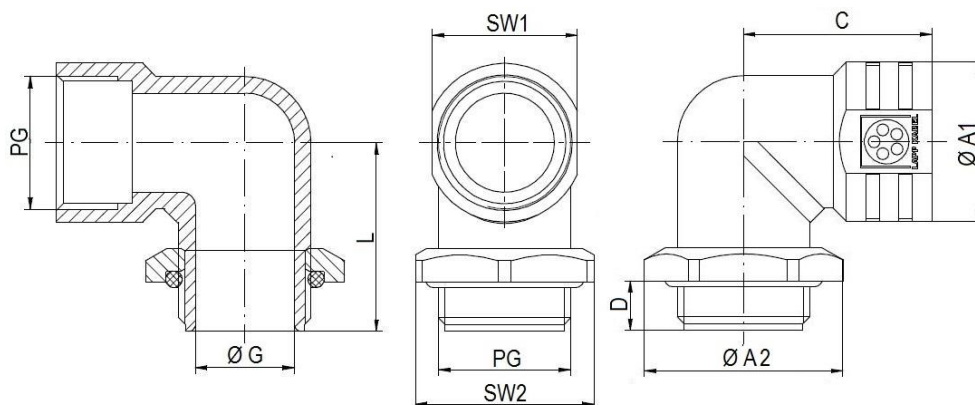
|                                    |                            |
|------------------------------------|----------------------------|
| <b>DATA SHEET</b>                  | 52004180                   |
| <b>SKINDICHT® RWV / RWV O. E+D</b> | valid from :<br>27.11.2015 |

### SKINDICHT® RWV



| PG     | SW1 [mm] | SW2 [mm] | SW3 [mm] | Ø A1 [mm] | Ø A3 [mm] | C [mm] | D [mm] | Ø F [mm]<br>incised sealing ring | Ø G [mm] | L [mm] | O-Ring [mm] | Article No. |
|--------|----------|----------|----------|-----------|-----------|--------|--------|----------------------------------|----------|--------|-------------|-------------|
| PG7    | 14       | 13       | 15       | 15,3      | 16,6      | 26,0   | 5,7    | 5                                | 9,0      | 20,5   | 10x1,5      | 52004180    |
| PG9    | 17       | 15       | 18       | 18,3      | 20,0      | 28,0   | 6,7    | 5/8                              | 11,2     | 23,5   | 13x1,5      | 52004190    |
| PG11   | 20       | 18       | 21       | 21,9      | 23,5      | 31,5   | 7,0    | 7/10/12,5                        | 14,6     | 26,0   | 16x1,5      | 52004200    |
| PG13,5 | 22       | 20       | 23       | 24,0      | 25,5      | 34,5   | 7,5    | 7/10,5/13/16                     | 16,2     | 28,5   | 18x1,5      | 52004210    |
| PG16   | 24       | 22       | 26       | 26,1      | 29,0      | 35,5   | 8,0    | 8/10,5/13,5/16                   | 18,2     | 31,0   | 20x1,5      | 52004220    |
| PG21   | 30       | 28       | 32       | 32,5      | 35,5      | 42,5   | 8,0    | 11/15/18/20                      | 23,8     | 33,5   | 26x2        | 52005420    |
| PG29   | 40       | 37       | 41       | 42,0      | 45,0      | 49,0   | 9,0    | 19/23/27/31                      | 32,0     | 43,0   | 34x2        | 52004225    |

### SKINDICHT® RWV-M O. E+D



| PG     | SW1 [mm] | SW2 [mm] | Ø A1 [mm] | Ø A2 [mm] | C [mm] | D [mm] | Ø G [mm] | L [mm] | O-Ring [mm] | Article No. |
|--------|----------|----------|-----------|-----------|--------|--------|----------|--------|-------------|-------------|
| PG7    | 13       | 15       | 15,3      | 16,6      | 20,2   | 5,7    | 9,0      | 20,5   | 10x1,5      | 52024020    |
| PG9    | 15       | 18       | 18,3      | 20,0      | 21,8   | 6,7    | 11,2     | 23,5   | 13x1,5      | 52023970    |
| PG11   | 18       | 21       | 21,9      | 23,5      | 24,9   | 7,0    | 14,6     | 26,0   | 16x1,5      | 52023980    |
| PG13,5 | 20       | 23       | 24,0      | 25,5      | 27,4   | 7,5    | 16,2     | 28,5   | 18x1,5      | 52023990    |
| PG16   | 22       | 26       | 26,1      | 29,0      | 28,5   | 8,0    | 18,2     | 31,0   | 20x1,5      | 52024000    |
| PG21   | 28       | 32       | 32,5      | 35,5      | 34,8   | 8,0    | 23,8     | 33,5   | 26x2        | 52024010    |
| PG29   | 37       | 41       | 42,0      | 45,0      | 41,2   | 9,0    | 32,0     | 43,0   | 34x2        | 52024015    |