

**PLEASE CHECK WWW.MOLEX.COM FOR LATEST PART INFORMATION**

**Part Number:** [5600850101](#)  
**Status:** **Active**  
**Overview:** [DuraClik™ Connector System](#)  
**Description:** [DuraClik™ Crimp Terminal, Female, 22-26 AWG, Reel](#)

**Documents:**

[Drawing \(PDF\)](#) [Application Specification AS-560085-001-JP \(PDF\)](#)  
[Product Specification PS-502351-001 \(PDF\)](#) [RoHS Certificate of Compliance \(PDF\)](#)

**General**

Product Family [Crimp Terminals](#)  
Series [560085](#)  
Application [Power, Signal](#)  
Crimp Quality Equipment [Yes](#)  
Overview [DuraClik™ Connector System](#)  
Product Name [DuraClik™](#)  
UPC [887191151892](#)

**Physical**

Gender [Female](#)  
Material - Metal [Phosphor Bronze](#)  
Material - Plating Mating [Tin](#)  
Material - Plating Termination [Tin](#)  
Net Weight [48.880/mg](#)  
Packaging Type [Reel](#)  
Termination Interface: Style [Crimp or Compression](#)  
Wire Insulation Diameter [1.40mm](#)  
Wire Size AWG [22, 24, 26](#)  
Wire Size mm<sup>2</sup> [0.34](#)

**Electrical**

Voltage - Maximum [125V](#)

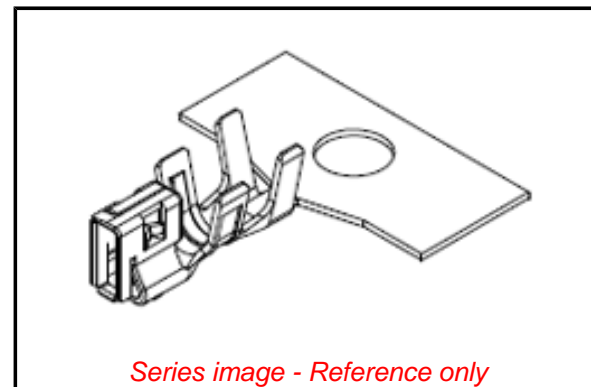
**Solder Process Data**

Lead-freeProcess Capability [N/A](#)

**Material Info**

**Reference - Drawing Numbers**

Application Specification [AS-560085-001-JP](#)  
Product Specification [PS-502351-001, RPS-502351-008-JP, RPS-502351-009-JP, RPS-502351-010-JP, RPS-502351-011-JP](#)  
Sales Drawing [SD-560085-001](#)



*Series image - Reference only*

**EU ELV**

**Compliant**

**EU RoHS**

**Compliant**

**REACH SVHC**

Not Contained Per  
-ED/79/2015 (17  
December 2015)

**Halogen-Free**

**Status**

**Low-Halogen**

**Need more information on product environmental compliance?**

Email [productcompliance@molex.com](mailto:productcompliance@molex.com)  
Please visit the [Contact Us](#) section for any non-product compliance questions.

China ROHS

ELV

Green Image

Compliant

**Search Parts in this Series**

[560085](#) Series

**Use With**

[502351](#) DuraClik™ Wire-to-Board  
Receptacle Housing

**Application Tooling | FAQ**

*Tooling specifications and manuals are found by selecting the products below. Crimp Height Specifications are then contained in the Application Tooling Specification document.*

**Global**

Description	Product #
FineAdjust™ Applicator	<a href="#">0638628000</a>
Extraction Tool	<a href="#">0011030043</a>
Hand Crimp Tool for 2.00mm Pitch	<a href="#">0638235100</a>

This document was generated on 03/08/2016

**PLEASE CHECK [WWW.MOLEX.COM](http://WWW.MOLEX.COM) FOR LATEST PART INFORMATION**