

PLEASE CHECK WWW.MOLEX.COM FOR LATEST PART INFORMATION

Part Number: [0874380543](#)
Status: **Active**
Overview: Pico-SPOX™ Wire-to-Board Connector System
Description: 1.50mm Pitch Pico-SPOX™ Wire-to-Board Header, Surface Mount, Right Angle, Shrouded, Nylon, 5 Circuits, Embossed Tape on Reel, Beige

Documents:

[3D Model](#) [Packaging Specification SPK-87438-001 \(PDF\)](#)
[Drawing \(PDF\)](#) [RoHS Certificate of Compliance \(PDF\)](#)
[Product Specification PS-87437-001 \(PDF\)](#)

Agency Certification

UL E29179

General

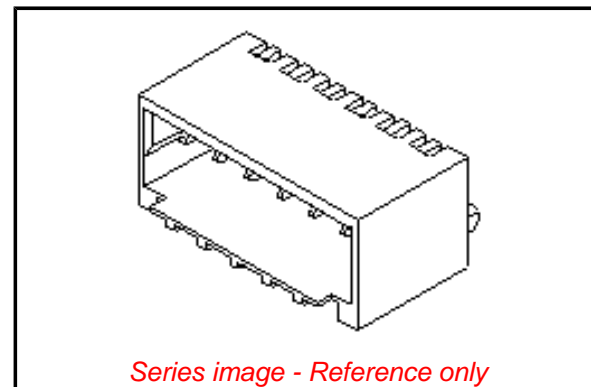
Product Family PCB Headers
Series [87438](#)
Application Signal, Wire-to-Board
Overview Pico-SPOX™ Wire-to-Board Connector System
Product Name Pico-SPOX™
UPC 822348438938

Physical

Breakaway No
Circuits (Loaded) 5
Circuits (maximum) 5
Color - Resin Beige
Durability (mating cycles max) 10
First Mate / Last Break No
Flammability 94V-0
Glow-Wire Compliant No
Guide to Mating Part No
Keying to Mating Part Yes
Lock to Mating Part Yes
Material - Metal Brass
Material - Plating Mating Tin over Nickel
Material - Plating Termination Tin over Nickel
Material - Resin High Temperature Thermoplastic
Net Weight 269.000/mg
Number of Rows 1
Orientation Right Angle
PCB Locator No
PCB Retention None
Packaging Type Embossed Tape on Reel
Pitch - Mating Interface 1.50mm
Plating min - Mating 2.540µm
Plating min - Termination 2.540µm
Polarized to Mating Part Yes
Polarized to PCB No
Shrouded Fully
Stackable No
Temperature Range - Operating -55°C to +105°C
Termination Interface: Style Surface Mount

Electrical

Current - Maximum per Contact 2.5A
Voltage - Maximum 250V



Series image - Reference only

EU ELV

Not Relevant

EU RoHS

Compliant

REACH SVHC

Not Contained Per
-ED/79/2015 (17
December 2015)

Halogen-Free

Status

Not Low-Halogen

Need more information on product environmental compliance?

Email productcompliance@molex.com
Please visit the [Contact Us](#) section for any non-product compliance questions.

China ROHS

ELV

Green Image

Not Relevant

Search Parts in this Series

[87438](#) Series

Mates With

[87439](#) Pico-SPOX™ Wire-to-Board Housing

Material Info

Reference - Drawing Numbers

Packaging Specification

Product Specification

Sales Drawing

SPK-87438-001

PS-87437-001, RPS-87437, RPS-87437-001,

RPS-87437-200

SD-87438-001

This document was generated on 03/30/2016

PLEASE CHECK WWW.MOLEX.COM FOR LATEST PART INFORMATION