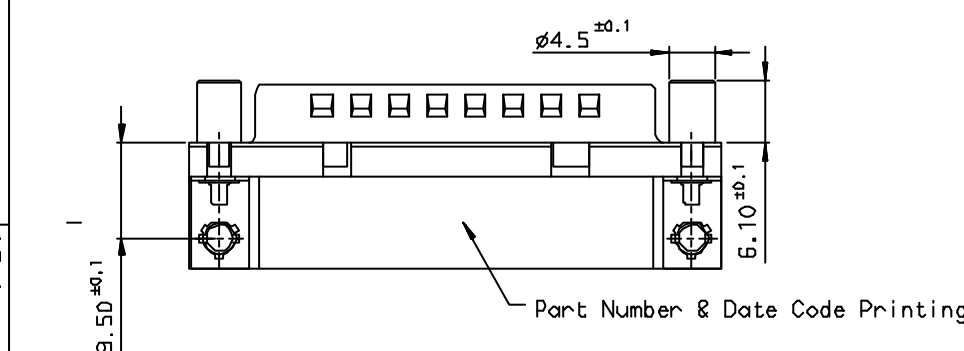
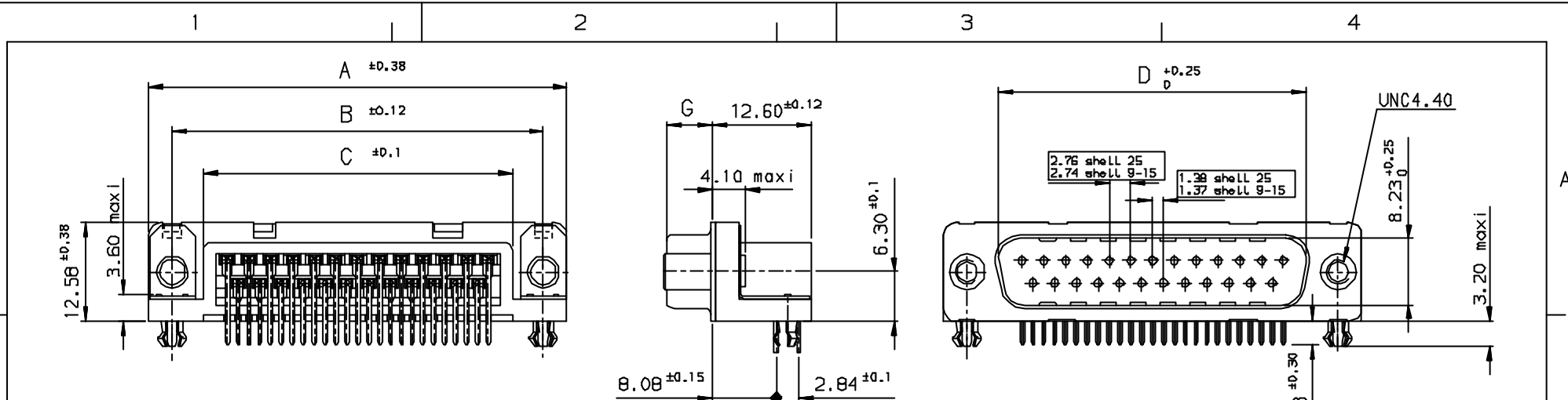


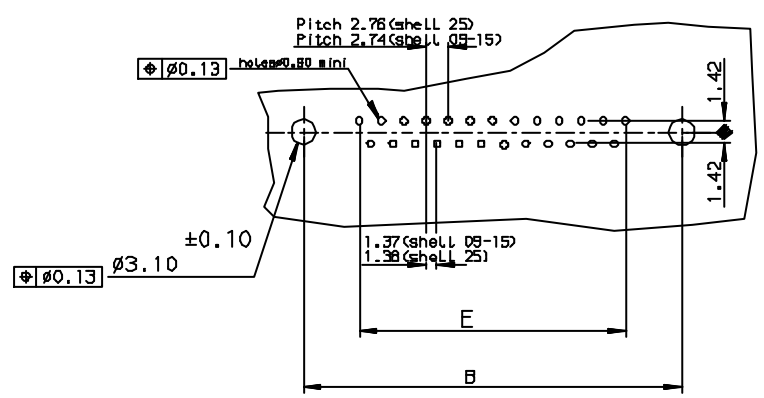
Tous droits strictement réservés. Reproduction ou communication à des tiers interdites sans autorisation écrite de la propriété de FCI. Droits de reproduction FCI.

**FCI**

All rights strictly reserved. Reproduction or communication in any form without the written authority from the proprietor. Property of FCI. Copyright FCI.



PC card drilling dimensions (after plating)  
(thickness 1.60 ± 0.20mm)



PuLL Parts							
SHELL	A±0.38	B±0.12	C±0.10	D±0.25	E±0.07	G±0.25	PART NUMBER
09	30.81	24.99	16.96	16.79	10.96	5.90	D09P33E4GV00**
15	39.14	33.32	25.18	25.12	19.18	5.90	D15P33E4GV00**
25	53.03	47.04	39.12	38.84	33.12	5.70	D25P33E4GV00**

GENERAL CHARACTERISTICS - SEE DRAWING C01-8545-0000

LF FOR LEAD FREE

		✓		Tolerance LINEAR ±0.1 ANGULAR ±1°	Projection 	MM ↔
Dr JOHN SLEEBA	7/4/03	Product Family	II-SUB	Size	A3	Scale
Eng GEORGE VJ	7/4/03	Spec ref		ECN		
Chr GEORGE VJ	27/7/05	Material				
Appr K Somasundaram	27/7/05					
<b>FCI</b>	Title MALE CONNECT. DELTA D right angle screwlock, harpoon & metal plate	Dwg no C01-8545-0151	Rev. d			
Catalog no DELTA-D		CUSTOMER COPY	Sheet 1 of 1			

d	DATE	REVISION DESCRIPTION
d	27/7/05	LEAD FREE DETAILS ADDED

Utr	Eon no	Dr	date
d	105-0124	J5	27/7/05