

DIN RAIL BOXES

Extendable Module Box

- 17.5mm width module box, extendable
- Box has a detachable end plate
- Extension box is sideless
- Each module, has 8 removable screw terminals
- Top hat 35mm DIN rail or surface mounting
- Moulded in flame retardant UL94-V0
- *DIN Rail Clips are not supplied with CMEB/E*
- Additional black clips are available on request

CMEB



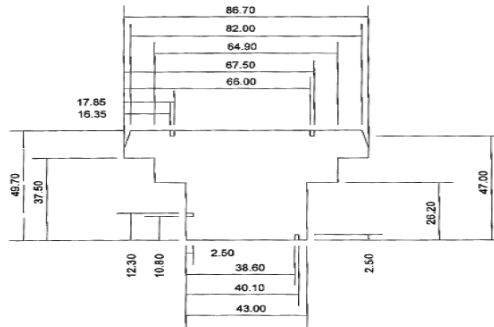
CMEB/E



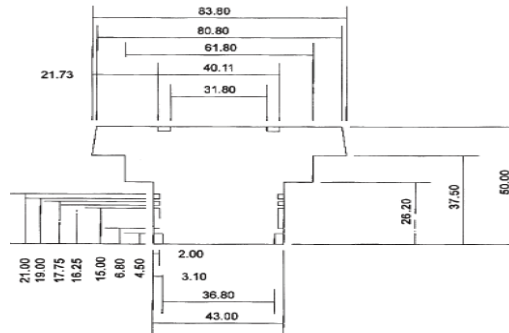
SPECIFICATION

Rating	Terminals	8A/250VAC
Cable entry		2x2.5mm ² Solid or Standard
Terminal protection		IP20

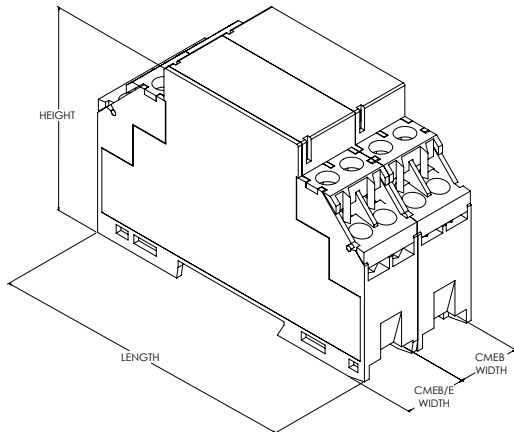
CMEB max PCB Dimensions



CMEB/E max PCB Dimensions



TYPE NO.	LENGTH	WIDTH	HEIGHT	DESCRIPTION
CMEB	90mm	17.5mm	59mm	17.5mm Module box
CMEB/E	90mm	17.5mm	59mm	Extension



UNIVERSAL ENCLOSURES

HAND HELD CASES

HEAVY DUTY ENCLOSURES

DIN RAIL BOXES

INTERFACE SUPPORTS

CONTROL STATIONS

DIECAST & METAL BOXES

DESKTOP & INSTRUMENT CASES

POTTING BOXES

19" ENCLOSURES

19" CABINETS

DEVELOPMENT BOARD ENCLOSURES

CUSTOM SIZED ENCLOSURES

CUSTOM SERVICES