

PLEASE CHECK WWW.MOLEX.COM FOR LATEST PART INFORMATION

Part Number: [5023810000](#)
Status: **Active**
Overview: [IllumiMate™ Connector System](#)
Description: [CLIK-Mate™ and IllumiMate™ 1.25mm Pitch Wire-to-Board Crimp Terminal, Tin Plating, Reel](#)

Documents:

[3D Model](#) [Packaging Specification SPK-502381-001 \(PDF\)](#)
[Drawing \(PDF\)](#) [RoHS Certificate of Compliance \(PDF\)](#)
[Product Specification PS-502382-001 \(PDF\)](#)

General

Product Family [Crimp Terminals](#)
Series [502381](#)
Application [Signal](#)
Crimp Quality Equipment [Yes](#)
MolexKits [Yes](#)
Overview [IllumiMate™ Connector System](#)
Product Name [CLIK-Mate™, IllumiMate™](#)
UPC [822350895187](#)

Physical

Durability (mating cycles max) [30](#)
Gender [Plug](#)
Material - Metal [Copper Alloy](#)
Material - Plating Mating [Tin over Nickel](#)
Material - Plating Termination [Tin over Nickel](#)
Net Weight [14.300/mg](#)
Packaging Type [Reel](#)
Plating min - Mating [0.406µm](#)
Termination Interface: Style [Crimp or Compression](#)
Wire Insulation Diameter [0.80-1.0mm](#)
Wire Size AWG [26, 28](#)
Wire Size mm² [0.08-0.13](#)

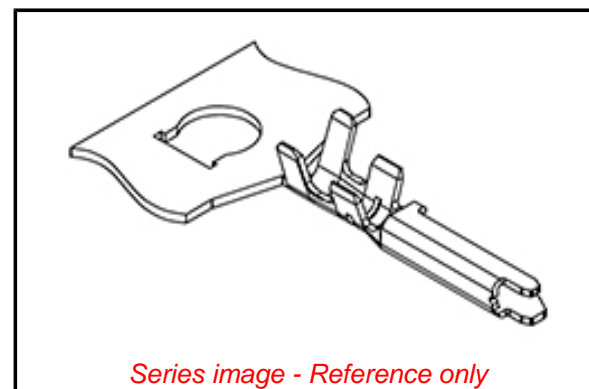
Electrical

Current - Maximum per Contact [1.0A](#)
Voltage - Maximum [50V AC \(RMS\)/DC](#)

Material Info

Reference - Drawing Numbers

Crimp Specification [CS-502381-001](#)
Packaging Specification [SPK-502381-001](#)
Product Specification [PS-502382-001, RPS-502382-003, RPS-502382-005, RPS-502382-006, RPS-502382-008, RPS-502382-010, RPS-502382-011, RPS-502382-012, RPS-502382-013, RPS-502382-016, RPS-502382-017, RPS-502382-018, RPS-502382-019, RPS-502386-002](#)
Sales Drawing [SD-502381-001](#)



EU ELV

Not Relevant

EU RoHS

Compliant

China RoHS

REACH SVHC

Not Contained Per
-ED/79/2015 (17
December 2015)

Halogen-Free

Status

Low-Halogen

Need more information on product environmental compliance?

Email productcompliance@molex.com
Please visit the [Contact Us](#) section for any non-product compliance questions.

China ROHS
ELV

Green Image
Not Relevant

Search Parts in this Series

[502381](#) Series

Use With

[502380](#) CLIK-Mate™ Housing, [104105](#) Illuminate Housing, [104099](#) HDR Housing

Application Tooling | FAQ

Tooling specifications and manuals are found by selecting the products below. Crimp Height Specifications are then contained in the Application Tooling Specification document.

Global

Description

Product #

FineAdjust™
Applicator for
1.25mm Pitch Wire-
to-Board Connector
Dual Plug Terminals,
26-28 AWG

[0639006600](#)

Hand Tool for 1.25mm Wire- to-Board Crimp Terminal, 26-28 AWG Wire	<u>0638194400</u>
T2 Terminator Tooling Die for 1.25mm Pitch Wire- to-Board Connector	<u>0639106600</u>
Dual Plug Terminals, 26-28 AWG Extraction Tool	<u>0638132700</u>
Japan	
Description	Product #
Applicator for M21 1A Bench Press, 26-28 AWG Wire	<u>5780343000</u>

This document was generated on 03/30/2016

PLEASE CHECK WWW.MOLEX.COM FOR LATEST PART INFORMATION