

PLEASE CHECK WWW.MOLEX.COM FOR LATEST PART INFORMATION

Part Number: [5025780400](#)
Status: **Active**
Overview: [CLIK-Mate™ Wire-to-Board Connectors](#)
Description: [CLIK-Mate™ Wire-to-Board Housing, Single Row, Positive Lock, 4 Circuits](#)

Documents:

3D Model	Application Specification AS-502578-001 (PDF)
Drawing (PDF)	Application Specification AS-502578-002 (PDF)
Product Specification PS-502584-001 (PDF)	Application Specification AS-503395-001 (PDF)
Product Specification PS-503159-001 (PDF)	Packaging Specification SPK-502578-001 (PDF)
Product Specification PS-503395-001 (PDF)	RoHS Certificate of Compliance (PDF)
Product Specification PS-505405-001 (PDF)	

General

Product Family	Crimp Housings
Series	502578
Application	Signal, Wire-to-Board
Overview	CLIK-Mate™ Wire-to-Board Connectors
Product Name	CLIK-Mate™
UPC	800756700021

Physical

Circuits (maximum)	4
Color - Resin	Beige
Gender	Plug
Glow-Wire Compliant	No
Keying to Mating Part	Yes
Lock to Mating Part	Yes
Net Weight	259.800/mg
Number of Rows	1
Packaging Type	Bag
Panel Mount	No
Pitch - Mating Interface	1.50mm
Polarized to Mating Part	Yes
Stackable	No
Temperature Range - Operating	-40°C to +105°C

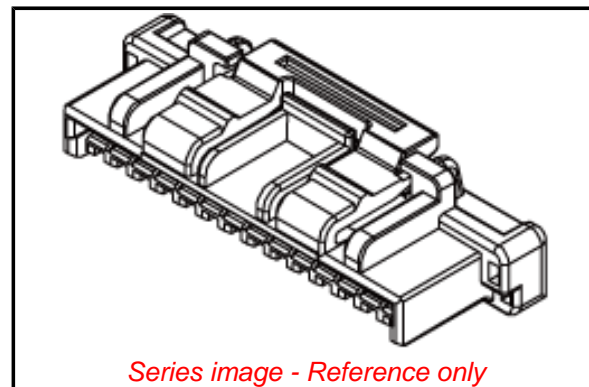
Electrical

Current - Maximum per Contact	2.0A
-------------------------------	------

Material Info

Reference - Drawing Numbers

Application Specification	AS-502578-001, AS-502578-002, AS-503395-001
Packaging Specification	SPK-502578-001
Product Specification	PS-502584-001, PS-503159-001, PS-503395-001, PS-505405-001, RPS-502578-001, RPS-502584-002, RPS-502584-003, RPS-502584-004, RPS-502584-005, RPS-502584-006, RPS-502584-008, RPS-502584-009, RPS-502584-010, RPS-502584-012, RPS-502584-013, RPS-502584-014, RPS-502585-002, RPS-502585-003, RPS-502585-004, RPS-503159-001, RPS-503159-003, RPS-503159-004, RPS-503159-005, RPS-503175-001, RPS-503175-002, RPS-503175-003, RPS-503339-001, RPS-503339-002, RPS-503395-002
Sales Drawing	SD-502578-001



Series image - Reference only

EU ELV

Not Relevant

EU RoHS

Compliant

REACH SVHC

Not Contained Per
-ED/79/2015 (17
December 2015)

Halogen-Free

Status

Not Low-Halogen

Need more information on product environmental compliance?

Email productcompliance@molex.com
Please visit the [Contact Us](#) section for any non-product compliance questions.

China ROHS

ELV

Green Image

Not Relevant

Search Parts in this Series

[502578](#) Series

Mates With

[503395](#) Bottom-Entry Receptacle . [503175](#) Right Angle, Through Hole Receptacle . [502585](#) Right Angle, Surface Mount Receptacle
 [503159](#) Vertical, Through Hole Receptacle
 [502584](#) , [505405](#) Vertical, Surface Mount Receptacle

Use With

[502579](#) Crimp Terminal for 24-28 AWG . [503429](#) Crimp Terminal for 26-30 AWG

This document was generated on 03/30/2016

PLEASE CHECK WWW.MOLEX.COM FOR LATEST PART INFORMATION