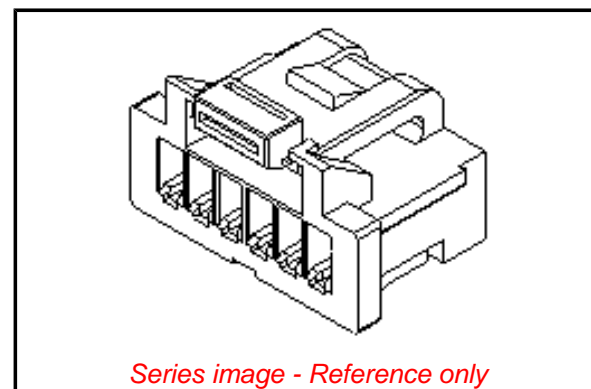


**PLEASE CHECK WWW.MOLEX.COM FOR LATEST PART INFORMATION**

**Part Number:** [5013300600](#)  
**Status:** **Active**  
**Overview:** Pico-Clasp™ Wire-to-Board Connectors  
**Description:** 1.00mm Pitch Pico-Clasp™ Wire-to-Board Female Housing, Single Row, with Positive Lock, 6 Circuits

**Documents:**

<a href="#">3D Model</a>	<a href="#">Product Specification PS-504449-001 (PDF)</a>
<a href="#">Drawing (PDF)</a>	<a href="#">Packaging Specification SPK-501330-001 (PDF)</a>
<a href="#">Product Specification PS-501331-001 (PDF)</a>	<a href="#">RoHS Certificate of Compliance (PDF)</a>
<a href="#">Product Specification PS-501568-001 (PDF)</a>	



**Agency Certification**

UL E29179

**General**

Product Family	Crimp Housings
Series	<a href="#">501330</a>
Application	Signal, Wire-to-Board
Overview	<a href="#">Pico-Clasp™ Wire-to-Board Connectors</a>
Product Name	Pico-Clasp™
UPC	822348529599

**Physical**

Circuits (maximum)	6
Color - Resin	White
Gender	Female
Glow-Wire Compliant	No
Lock to Mating Part	Yes
Material - Resin	Nylon
Net Weight	63.100/mg
Number of Rows	1
Packaging Type	Bag
Panel Mount	No
Pitch - Mating Interface	1.00mm
Polarized to Mating Part	Yes
Stackable	No
Temperature Range - Operating	-40°C to +105°C

**Electrical**

Current - Maximum per Contact 1.0A

**Material Info**

**Reference - Drawing Numbers**

Packaging Specification	SPK-501330-001
Product Specification	PS-501331-001, PS-501568-001, PS-504449-001, RPS-501331-001, RPS-501331-002, RPS-501331-003, RPS-501331-005, RPS-501331-006, RPS-501331-007, RPS-501331-009, RPS-501331-010, RPS-501331-012, RPS-501331-013, RPS-501568-002, RPS-501568-003, RPS-501568-004, RPS-501568-005, RPS-501568-009, RPS-501568-010, RPS-501568-011, RPS-501568-012, RPS-501940-001
Sales Drawing	SD-501330-002

**EU ELV**

**Not Relevant**

**EU RoHS**

**Compliant**

**REACH SVHC**

Not Contained Per  
-ED/79/2015 (17  
December 2015)

**Halogen-Free**

**Status**

**Low-Halogen**

**Need more information on product environmental compliance?**

Email [productcompliance@molex.com](mailto:productcompliance@molex.com)  
Please visit the [Contact Us](#) section for any non-product compliance questions.

China ROHS

ELV

Green Image

Not Relevant

**Search Parts in this Series**

[501330 Series](#)

**Mates With**

[501331 PCB Header](#) . [501568 PCB Header](#)

**Use With**

[501334 Crimp Terminal](#)

This document was generated on 03/29/2016

**PLEASE CHECK [WWW.MOLEX.COM](http://WWW.MOLEX.COM) FOR LATEST PART INFORMATION**