

**PLEASE CHECK WWW.MOLEX.COM FOR LATEST PART INFORMATION**

**Part Number:** [5011905027](#)  
**Status:** **Active**  
**Overview:** Pico-Clasp™ Wire-to-Board Connectors  
**Description:** 1.00mm Pitch Pico-Clasp™ Wire-to-Board PCB Header, Dual Row, Vertical, 50 Circuits, without Pick-and-Place Tape

**Documents:**

|   |   |
|---|---|
| <a href="#">3D Model</a>                                  | <a href="#">Product Specification PS-501190-004 (PDF)</a> |
| <a href="#">Drawing (PDF)</a>                             | <a href="#">RoHS Certificate of Compliance (PDF)</a>      |
| <a href="#">Product Specification PS-501190-001 (PDF)</a> |   |

**Agency Certification**

UL E29179

**General**

|                |  |
|----------------|--|
| Product Family | PCB Headers  |
| Series         | 501190   |
| Application    | Signal, Wire-to-Board                                |
| Comments       | Without Pick-and-Place Tape                          |
| Overview       | <a href="#">Pico-Clasp™ Wire-to-Board Connectors</a> |
| Product Name   | Pico-Clasp™  |
| UPC            | 822350003612   |

**Physical**

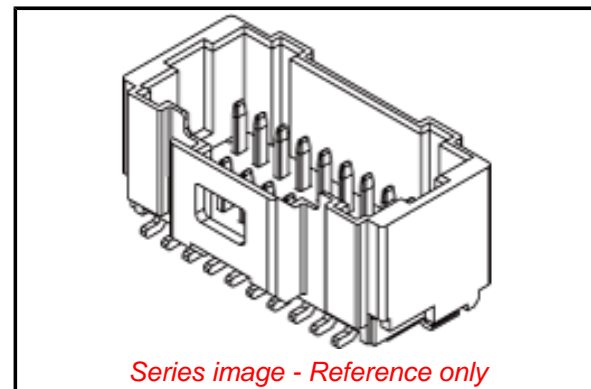
|                                |                       |
|--------------------------------|-----------------------|
| Breakaway                      | No                    |
| Circuits (Loaded)              | 50                    |
| Circuits (maximum)             | 50                    |
| Color - Resin                  | Natural               |
| Durability (mating cycles max) | 30                    |
| Flammability                   | 94V-0                 |
| Glow-Wire Compliant            | No                    |
| Lock to Mating Part            | Yes                   |
| Material - Metal               | Phosphor Bronze       |
| Material - Plating Mating      | Gold                  |
| Material - Plating Termination | Gold                  |
| Material - Resin               | Nylon                 |
| Net Weight                     | 640.300/mg            |
| Number of Rows                 | 2                     |
| Orientation                    | Vertical              |
| PCB Locator                    | No                    |
| PCB Retention                  | Yes                   |
| Packaging Type                 | Embossed Tape on Reel |
| Pitch - Mating Interface       | 1.00mm                |
| Polarized to Mating Part       | Yes                   |
| Polarized to PCB               | Yes                   |
| Robotic Placement              | Vacuum Pick-Up Tape   |
| Stackable                      | No                    |
| Temperature Range - Operating  | -40°C to +105°C       |
| Termination Interface: Style   | Surface Mount         |

**Electrical**

|                               |      |
|-------------------------------|------|
| Current - Maximum per Contact | 1.0A |
| Voltage - Maximum             | 50V  |

**Material Info**

**Reference - Drawing Numbers**



**EU ELV**

**Not Relevant**

**EU RoHS**

**Compliant**

**REACH SVHC**

Not Contained Per  
-ED/79/2015 (17  
December 2015)

**Halogen-Free**

**Status**

**Not Low-Halogen**

**Need more information on product environmental compliance?**

Email [productcompliance@molex.com](mailto:productcompliance@molex.com)  
Please visit the [Contact Us](#) section for any non-product compliance questions.

China ROHS

ELV

Green Image

Not Relevant

**Search Parts in this Series**

[501190](#) Series

**Mates With**

[501189](#) Pico-Clasp™ Wire-to-Board Female Housing

Product Specification

Sales Drawing

PS-501190-001, PS-501190-004, RPS-501190-001,  
RPS-501190-008, RPS-501190-010, RPS-501190-011,  
RPS-501190-012, RPS-501331-001  
SD-501190-003, SD-501190-004

This document was generated on 03/30/2016

**PLEASE CHECK [WWW.MOLEX.COM](http://WWW.MOLEX.COM) FOR LATEST PART INFORMATION**