

PLEASE CHECK WWW.MOLEX.COM FOR LATEST PART INFORMATION

Part Number: [0731000223](#)
Status: **Active**
Overview: [BNC RF Connectors](#)
Description: 50 Ohms, BNC Right-Angle PCB Bulkhead Jack Receptacle with Board Locks, Filtered, Panel Isolated, Black PBT Housing, Nut and Lock Washer included, Tray

Documents:

[Drawing \(PDF\)](#) [RoHS Certificate of Compliance \(PDF\)](#)

General

Product Family	RF/Coax Connectors
Series	73100
Overview	BNC RF Connectors
Product Name	BNC
Style	PCB
UPC	800753686281
Wire/Cable Type	N/A

Physical

Gender	Jack
Keying to Mating Part	None
Net Weight	21.528/g
Orientation	Right Angle
PCB Mounting	Through Hole
PCB Thickness - Recommended	3.20mm
Packaging Type	Tray
Panel Mount	Yes
Panel Mount Method	Bulkhead
Reverse Polar	No

Electrical

Impedance	50#
-----------	-----

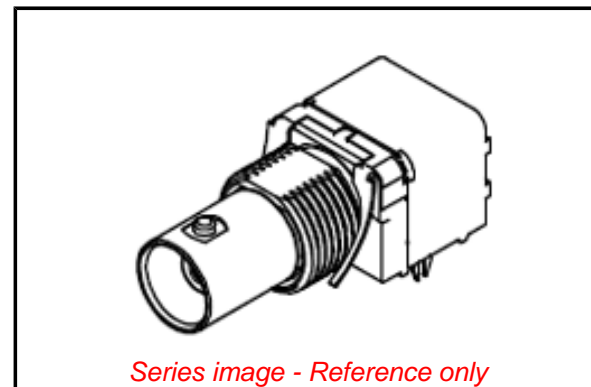
Solder Process Data

Lead-freeProcess Capability	WAVE
Max. Cycles at Max. Process Temperature	002
Process Temperature max. C	245

Material Info

Reference - Drawing Numbers

Sales Drawing	SD-73100-0223
---------------	---------------



EU ELV

Not Relevant

EU RoHS

Compliant/Exempted

REACH SVHC

Not Contained Per
-ED/79/2015 (17
December 2015)

Halogen-Free

Status

Not Low-Halogen

Need more information on product environmental compliance?

Email productcompliance@molex.com
Please visit the [Contact Us](#) section for any non-product compliance questions.

China ROHS

50 Image

ELV

Not Relevant

Search Parts in this Series

[73100 Series](#)