

PLEASE CHECK WWW.MOLEX.COM FOR LATEST PART INFORMATION

Part Number: [5018643091](#)
Status: **Active**
Overview: FFC-FPC (SMT)
Description: 0.50mm Pitch Easy-On™ Type FFC-to-Board Connector, Receptacle Housing Assembly, Right Angle, Surface Mount, with Grounding terminals, 30 Circuits

Documents:

[3D Model](#) [Packaging Specification SPK-501864-001 \(PDF\)](#)
[Drawing \(PDF\)](#) [RoHS Certificate of Compliance \(PDF\)](#)
[Product Specification PS-501864-004 \(PDF\)](#)

General

Product Family FFC/FPC Connectors
 Series [501864](#)
 Comments Requires a custom FFC with notches
 Overview [FFC-FPC \(SMT\)](#)
 Product Name Easy-On™
 UPC 822350663427

Physical

Circuits (Loaded) 30
 Color - Resin Black
 Contact Position Bottom
 Durability (mating cycles max) 20
 Entry Angle 90° Angle
 Mated Height 4.85mm
 Material - Metal Phosphor Bronze
 Material - Plating Mating Gold
 Material - Plating Termination Gold
 Net Weight 618.770/mg
 Number of Rows 1
 Orientation Right Angle
 PCB Locator Yes
 PCB Retention Yes
 Packaging Type Embossed Tape on Reel
 Pitch - Mating Interface 0.50mm
 Polarized to PCB Yes
 Stackable No
 Temperature Range - Operating -40°C to +105°C
 Termination Interface: Style Surface Mount
 Wire/Cable Type FFC only

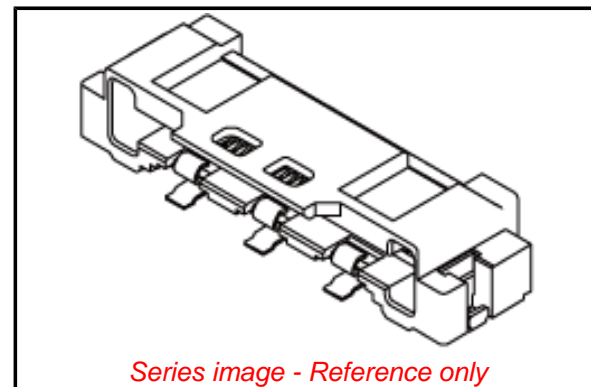
Electrical

Current - Maximum per Contact 0.5A
 Voltage - Maximum 50V AC (RMS)/DC

Material Info

Reference - Drawing Numbers

Packaging Specification SPK-501864-001
 Product Specification PS-501864-004, RPS-501864-001, RPS-501864-004
 Sales Drawing SD-501864-008, SD-501864-009



EU ELV

Not Relevant

EU RoHS

Compliant

REACH SVHC

Not Contained Per
 -ED/79/2015 (17
 December 2015)

Halogen-Free

Status

Low-Halogen

Need more information on product environmental compliance?

Email productcompliance@molex.com
 Please visit the [Contact Us](#) section for any non-product compliance questions.

China ROHS

ELV

Green Image

Not Relevant

Search Parts in this Series

[501864 Series](#)

Use With

[501783-3009 Plug Jacket](#) . [501784-3008 Plug Jacket Cover](#)